

# Broil King®

ASSEMBLY MANUAL & PARTS LIST

MANUEL DE MONTAGE & LISTE DE PIÈCES



**Broil King**  
REGAL S590 PRO IR  
9589-44  
9589-47

RETAIN FOR FUTURE REFERENCE

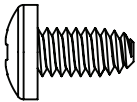


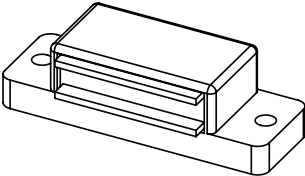
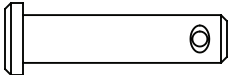
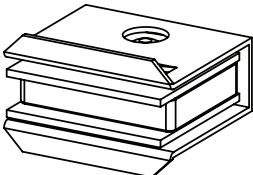
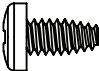
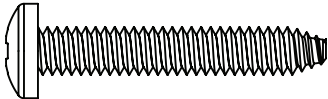
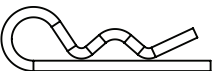
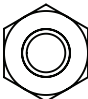
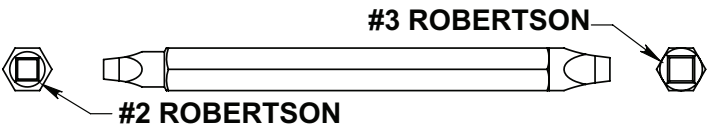
VEUILLEZ CONSERVER POUR REFERENCE ULTERIEURE

*Onward*  
MANUFACTURING COMPANY  
SINCE 1906  
1000 EAST MARKET STREET  
HUNTINGTON, INDIANA, 46750, USA

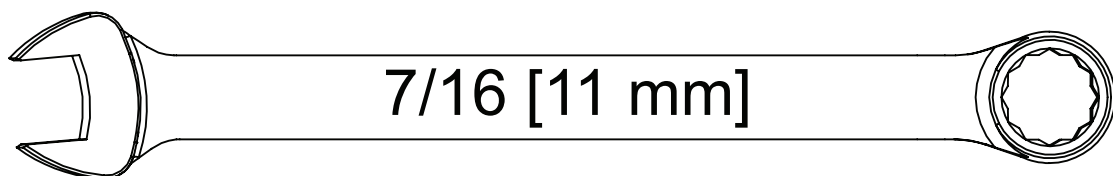
info@omcbbq.com  
1-800-265-2150

20084-E59 REV D 09/20

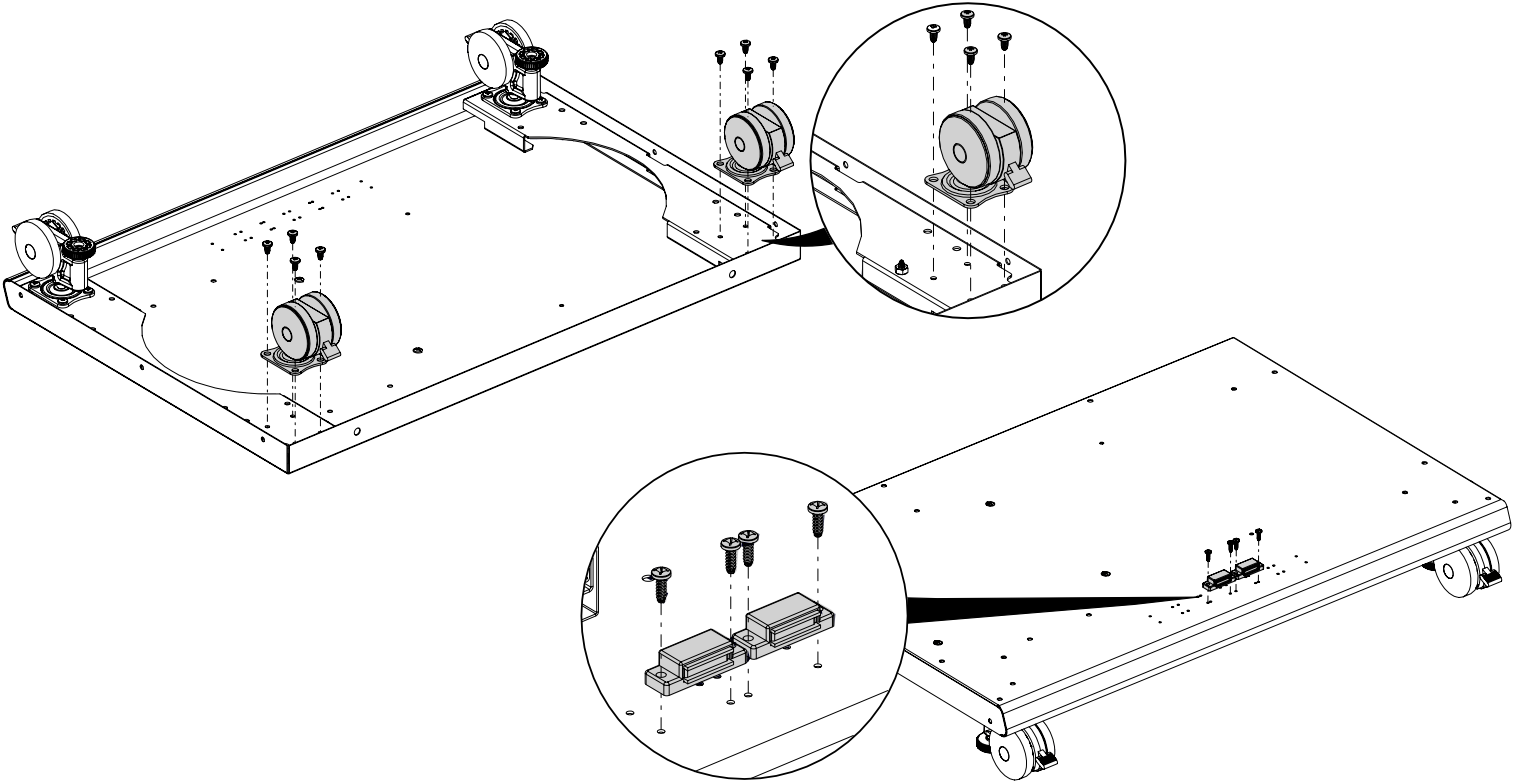
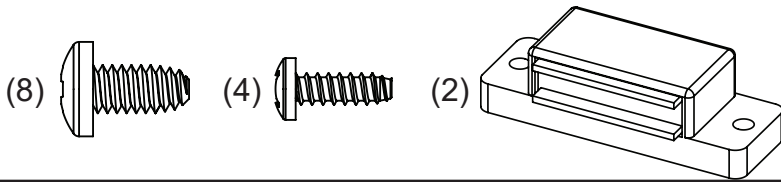
**HARDWARE INCLUDED / MATERIAL INCLUS / EQUIPOS INCLUIDO**

|  |   |      |         |   |     |
|--|---|------|---------|---|-----|
| Y-12865  |    | (26) | S21124  |    | (8) |
| S21125   |    | (4)  | Y-12222 |    | (2) |
| S21235   |    | (2)  | Y-12223 |    | (2) |
| Y-29304  |    | (6)  | Y-11560 |    | (4) |
| S21233   |  | (2)  | Y-11793 |  | (4) |
|  <p>#2 ROBERTSON</p> <p>#3 ROBERTSON</p> |   |      |         |   |     |

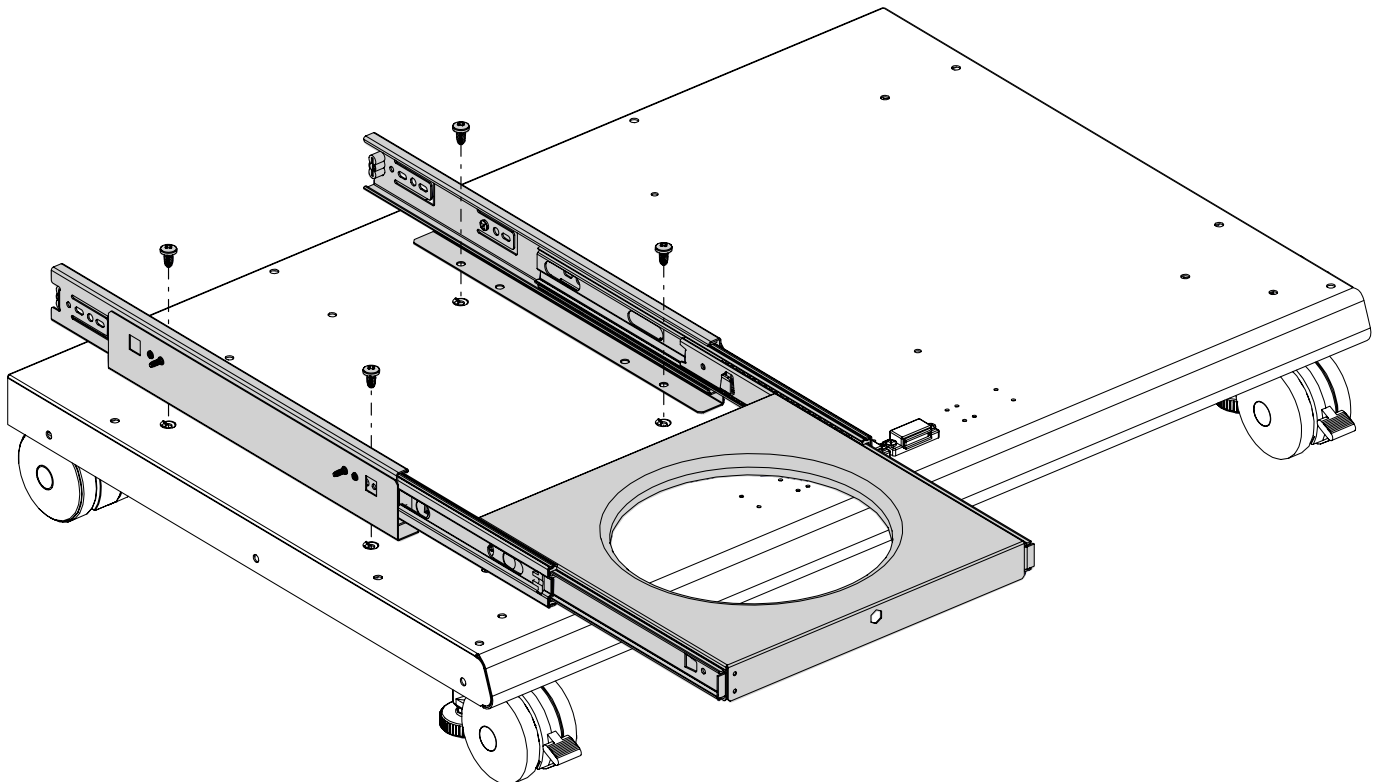
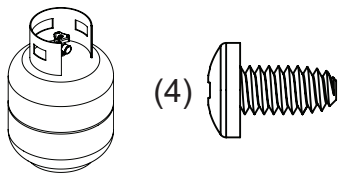
**TOOLS REQUIRED / OUTILS NECESSAIRES / HERRAMIENTAS NECESARIAS**



1



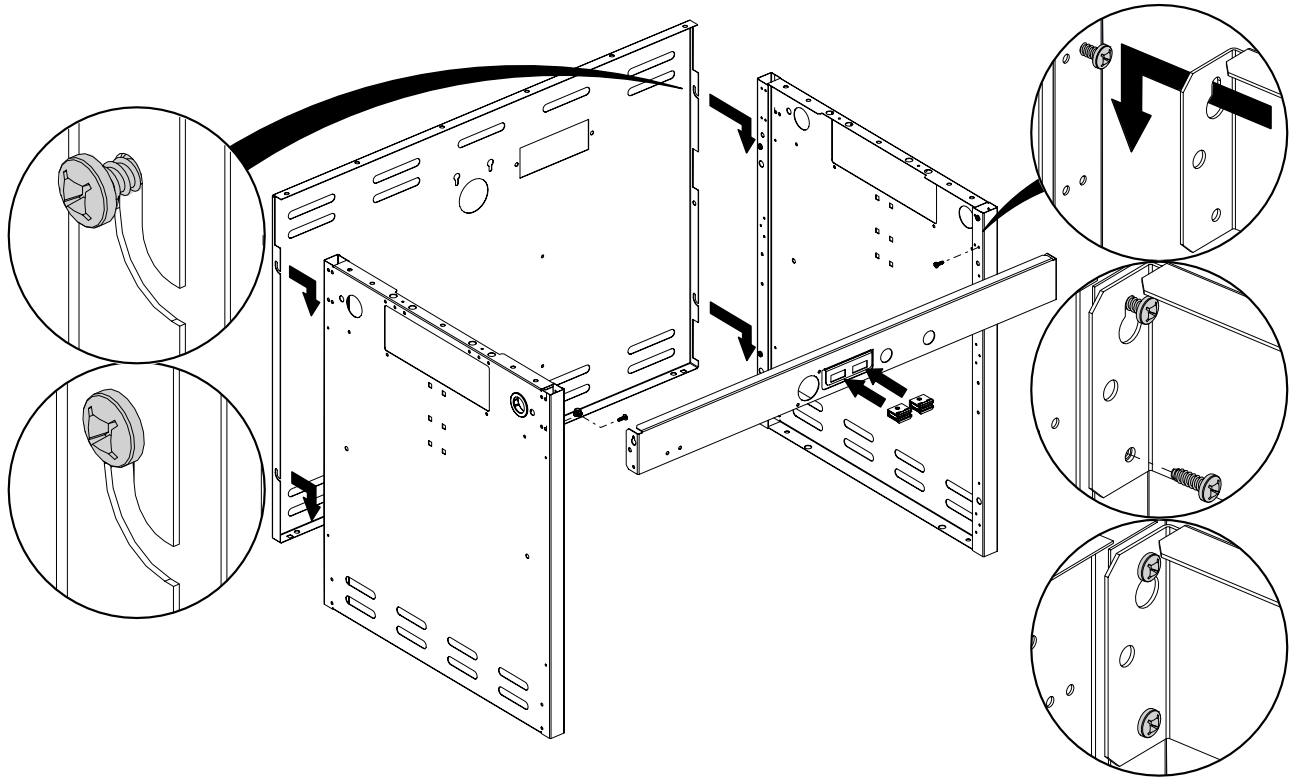
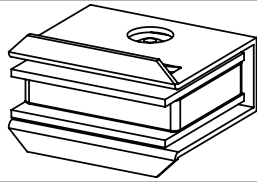
2



# 3

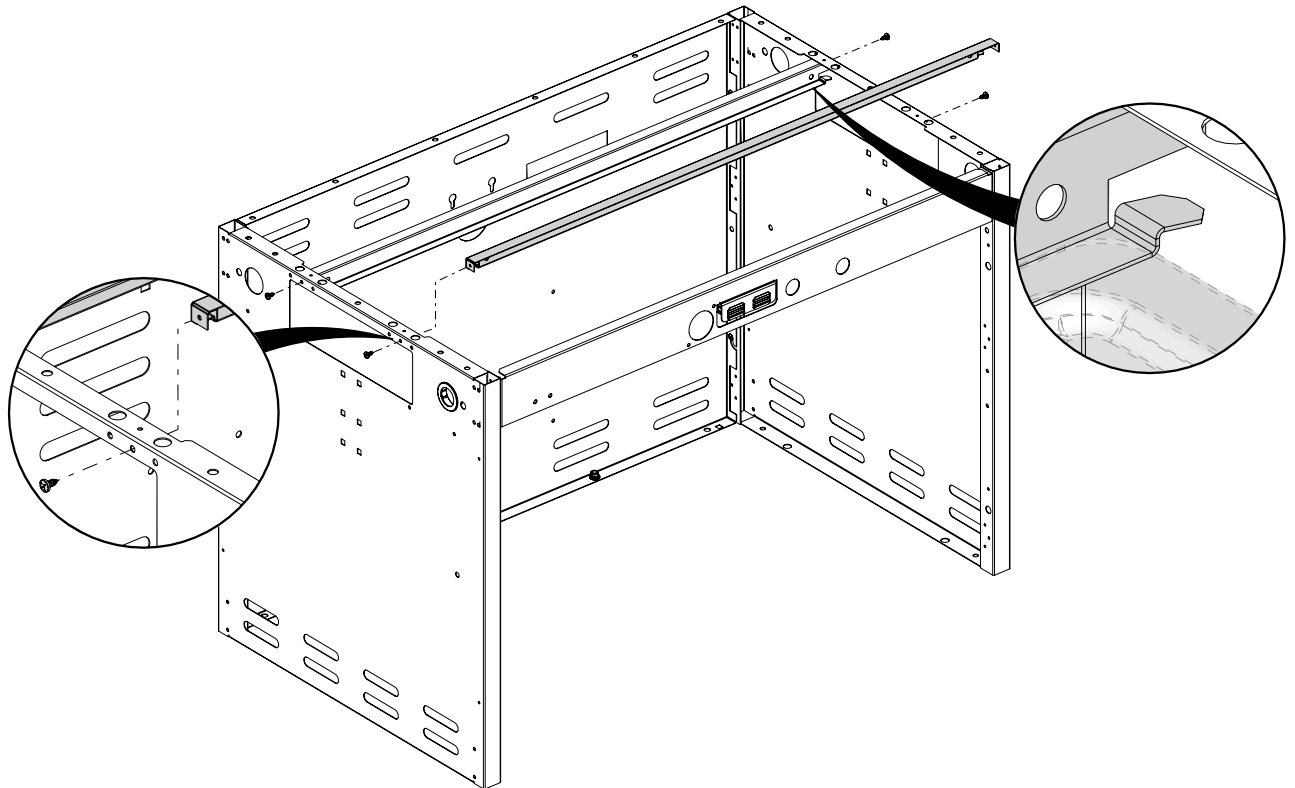
(2) 

(2)

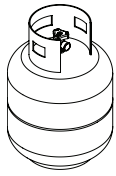


# 4

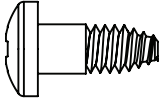
(4) 



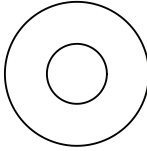
5



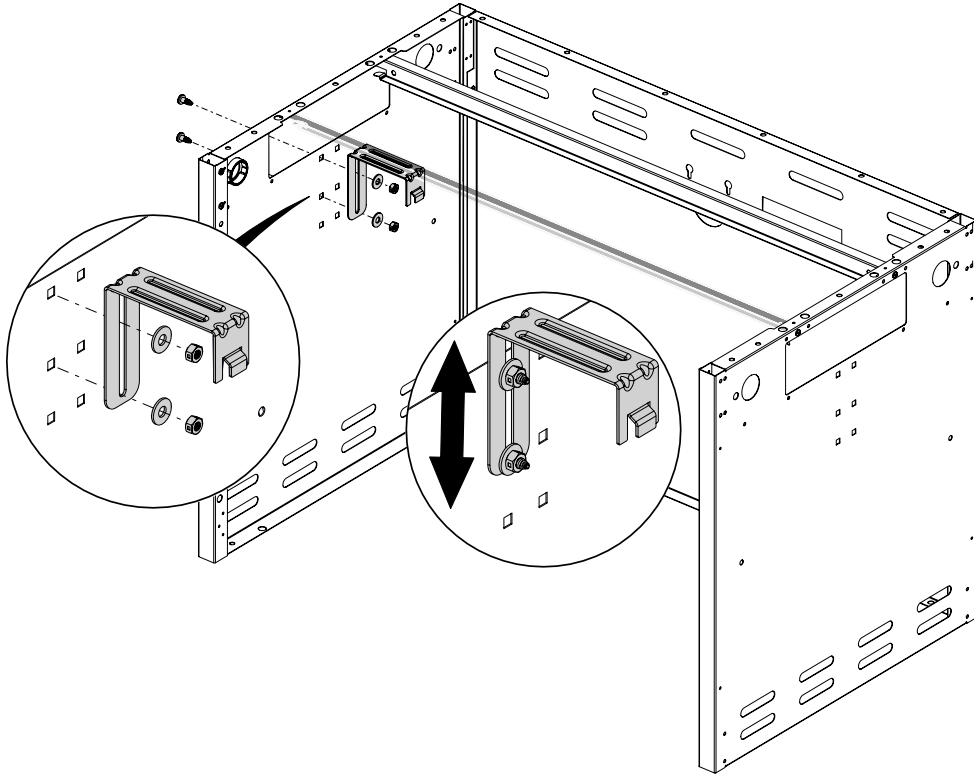
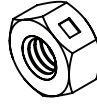
(2)



(2)

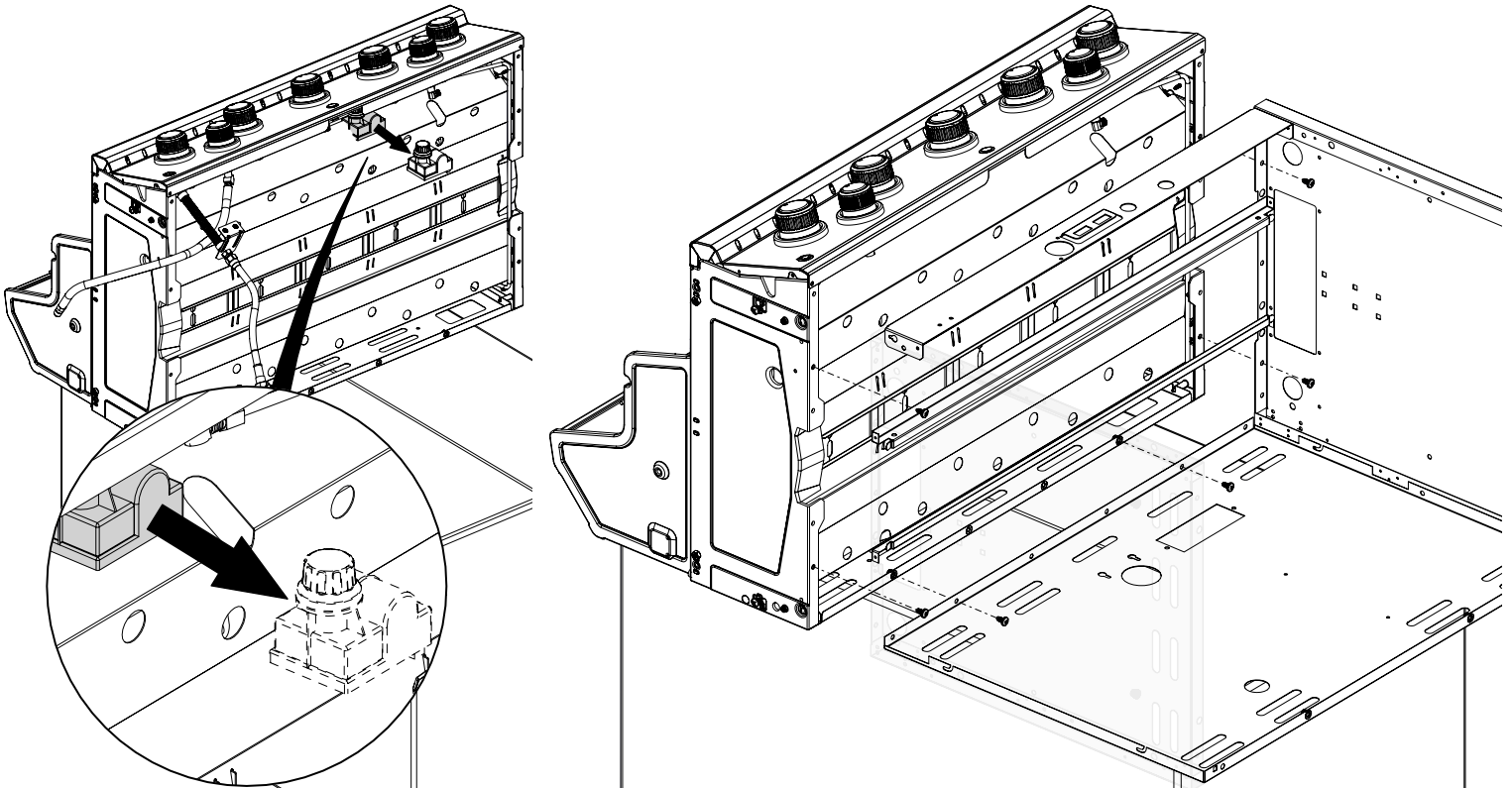
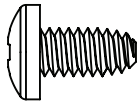


(2)

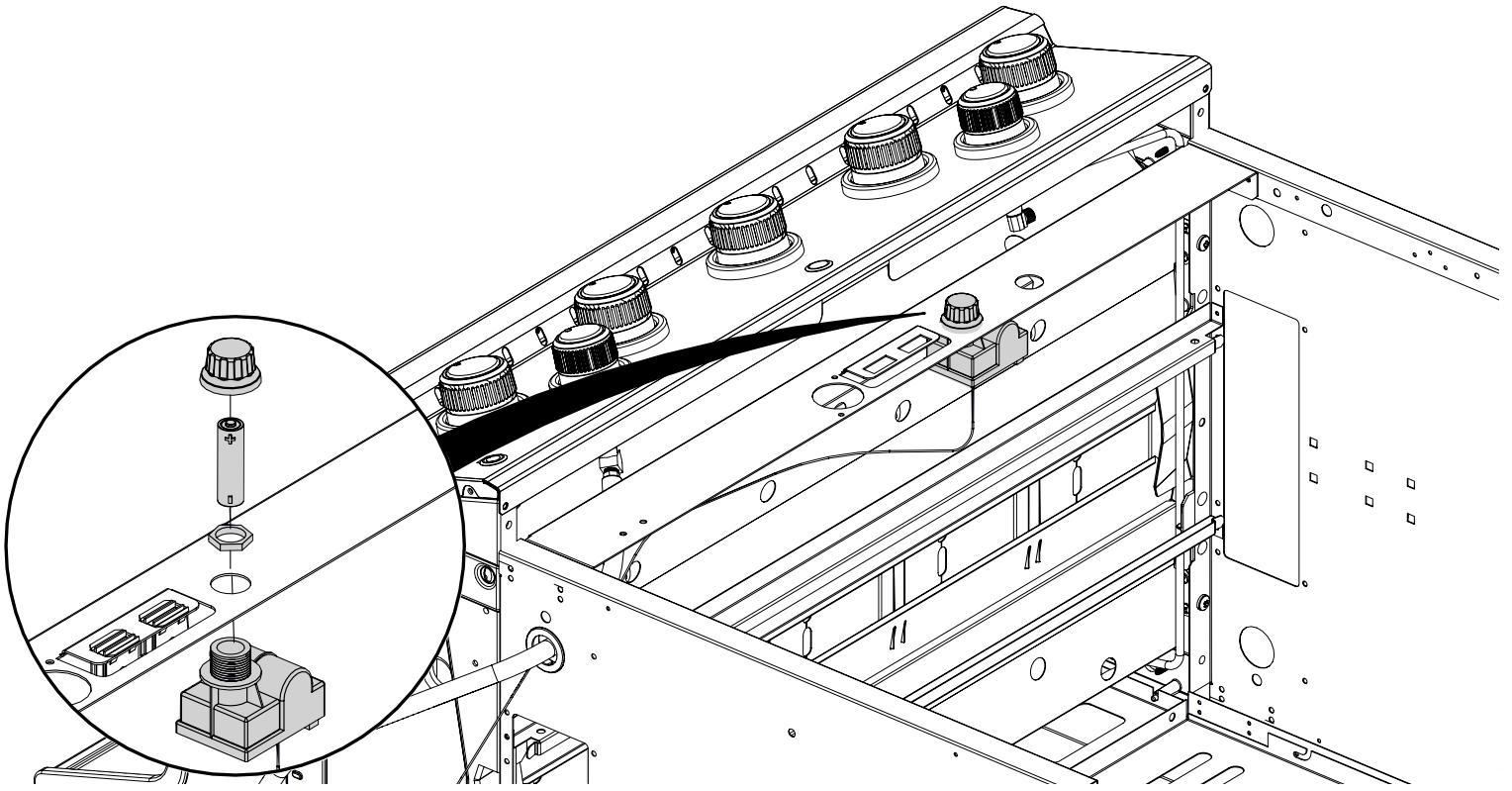


6

(6)

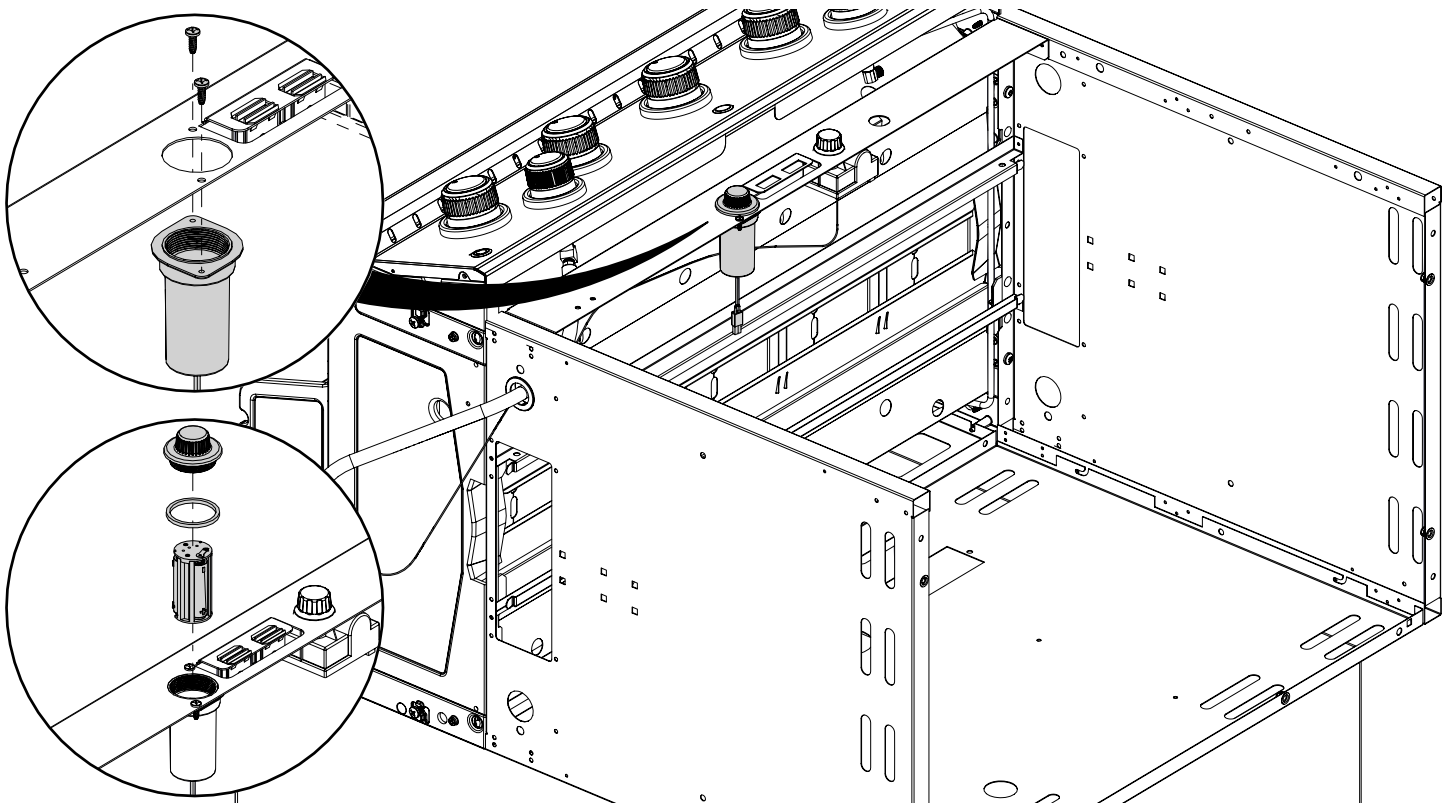


7

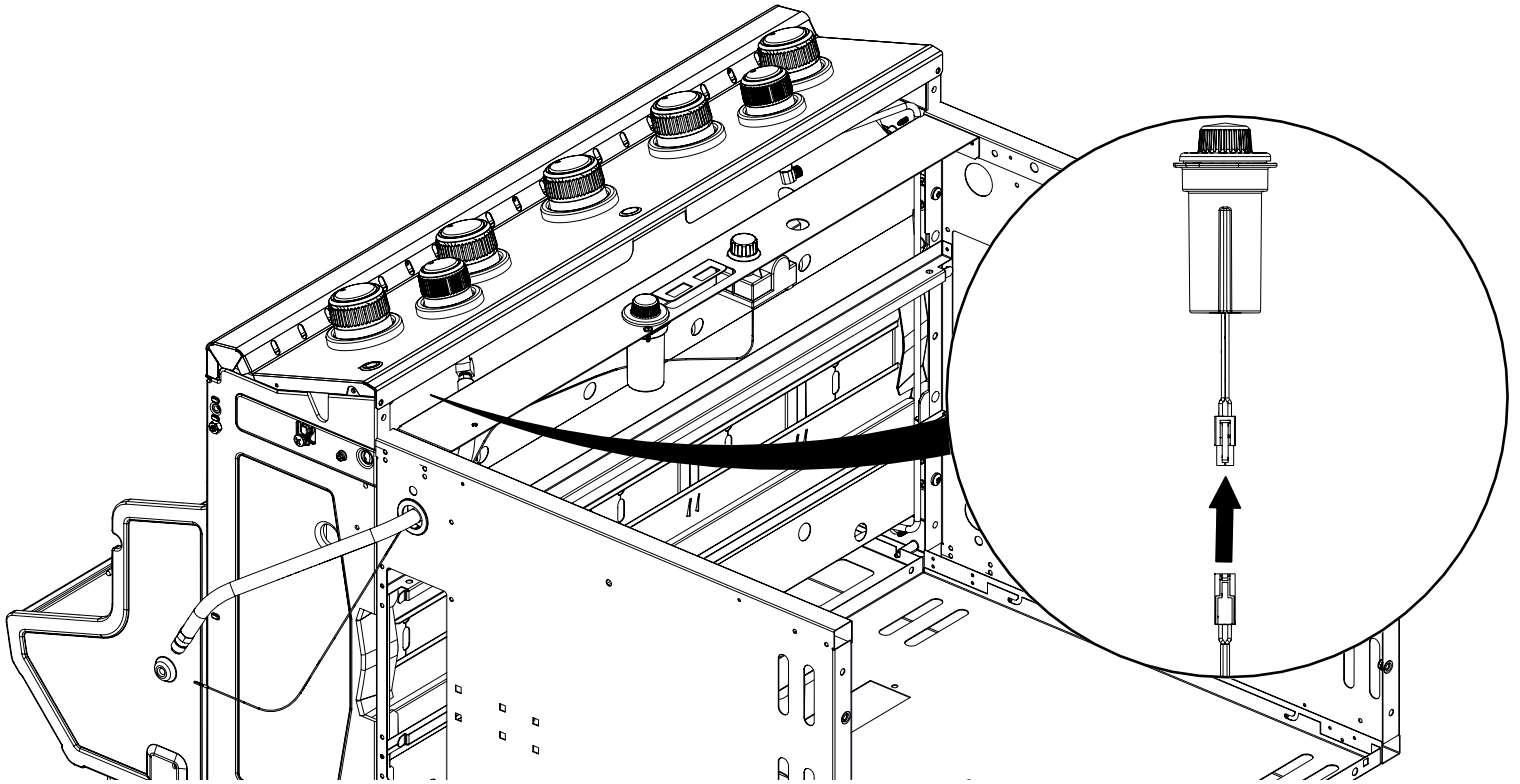


8

(2) 

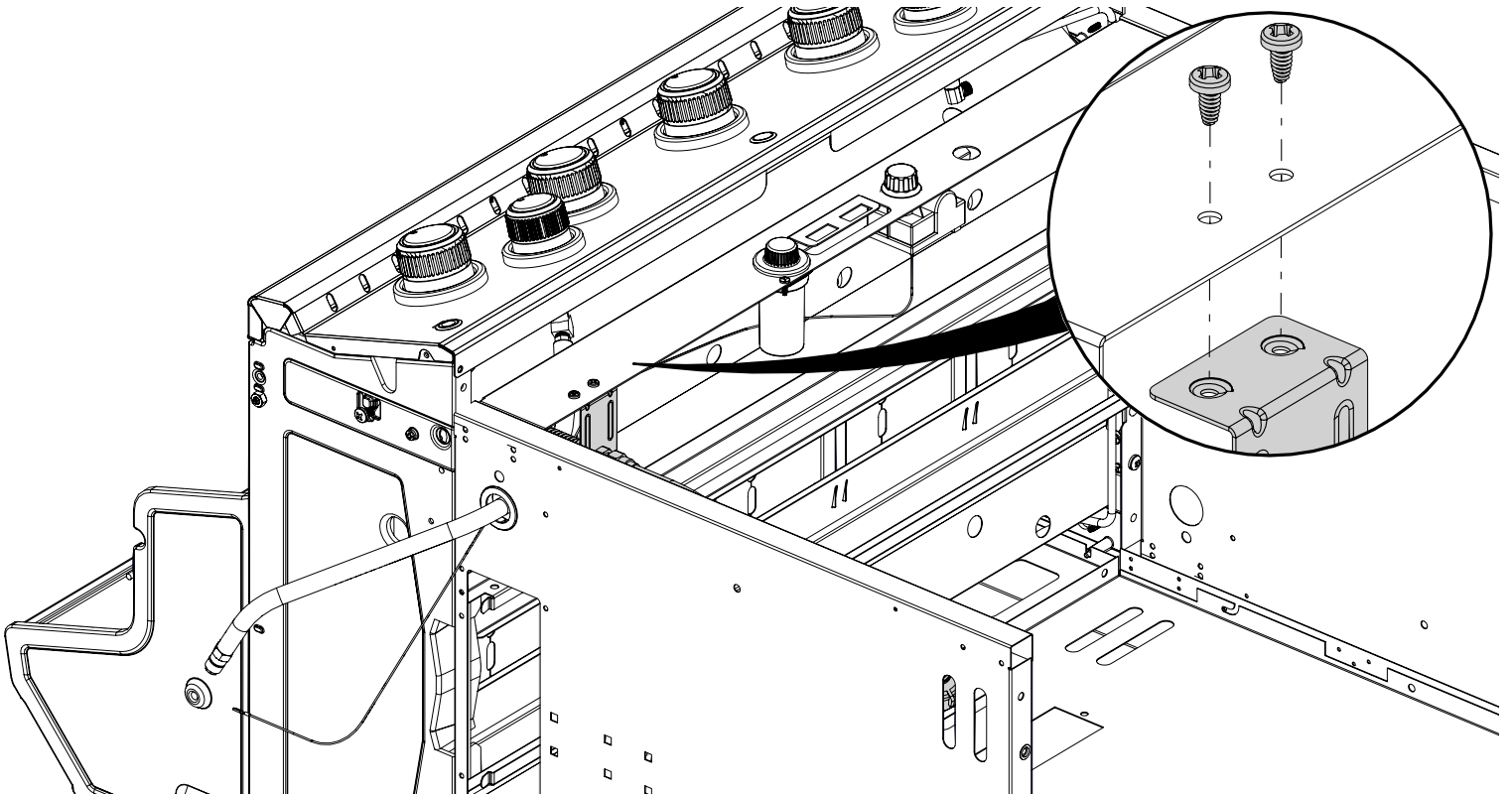


9

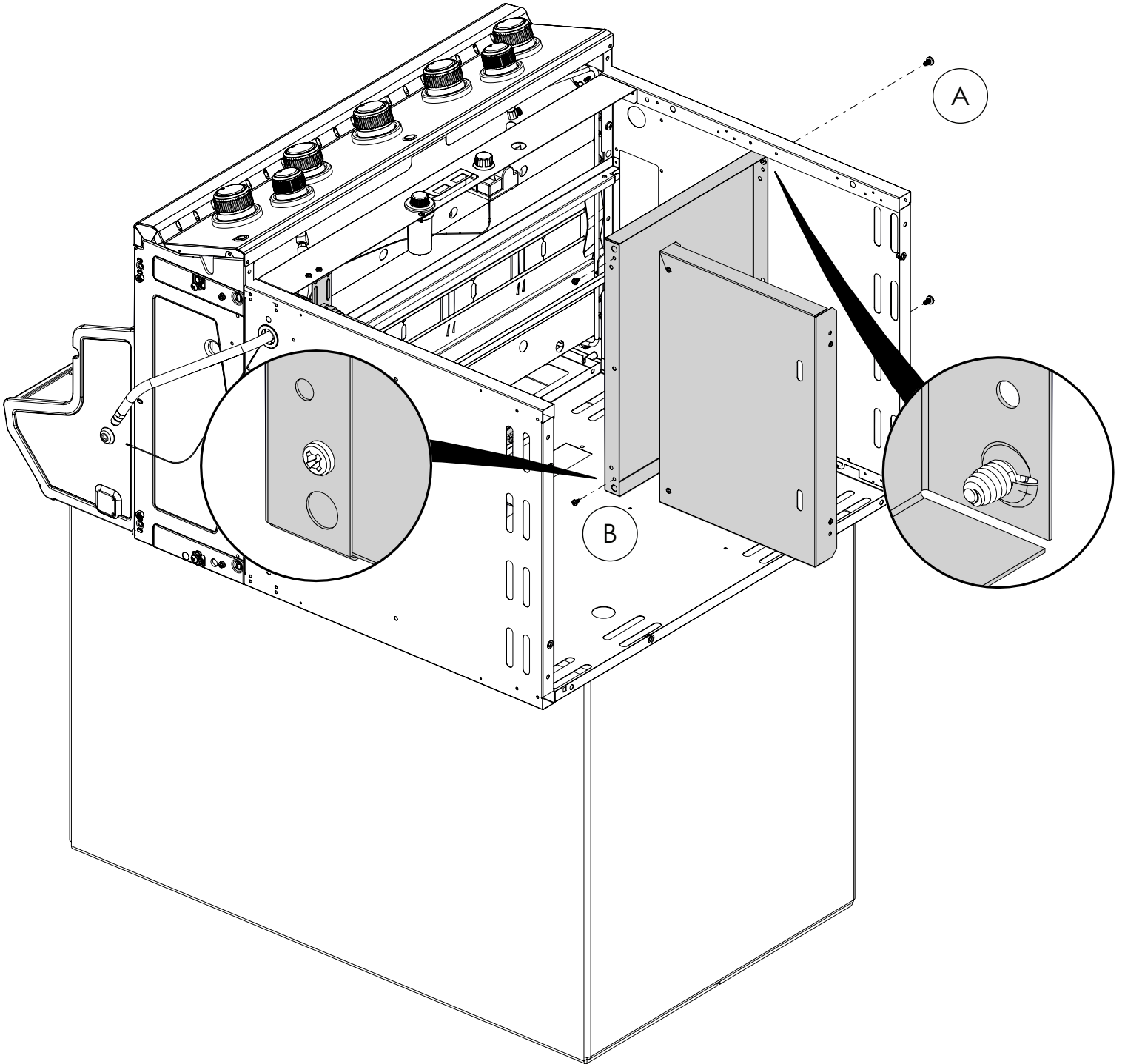
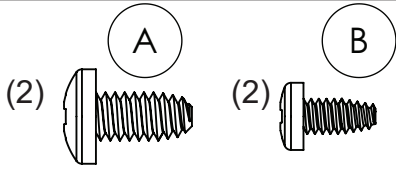


10

(2) 

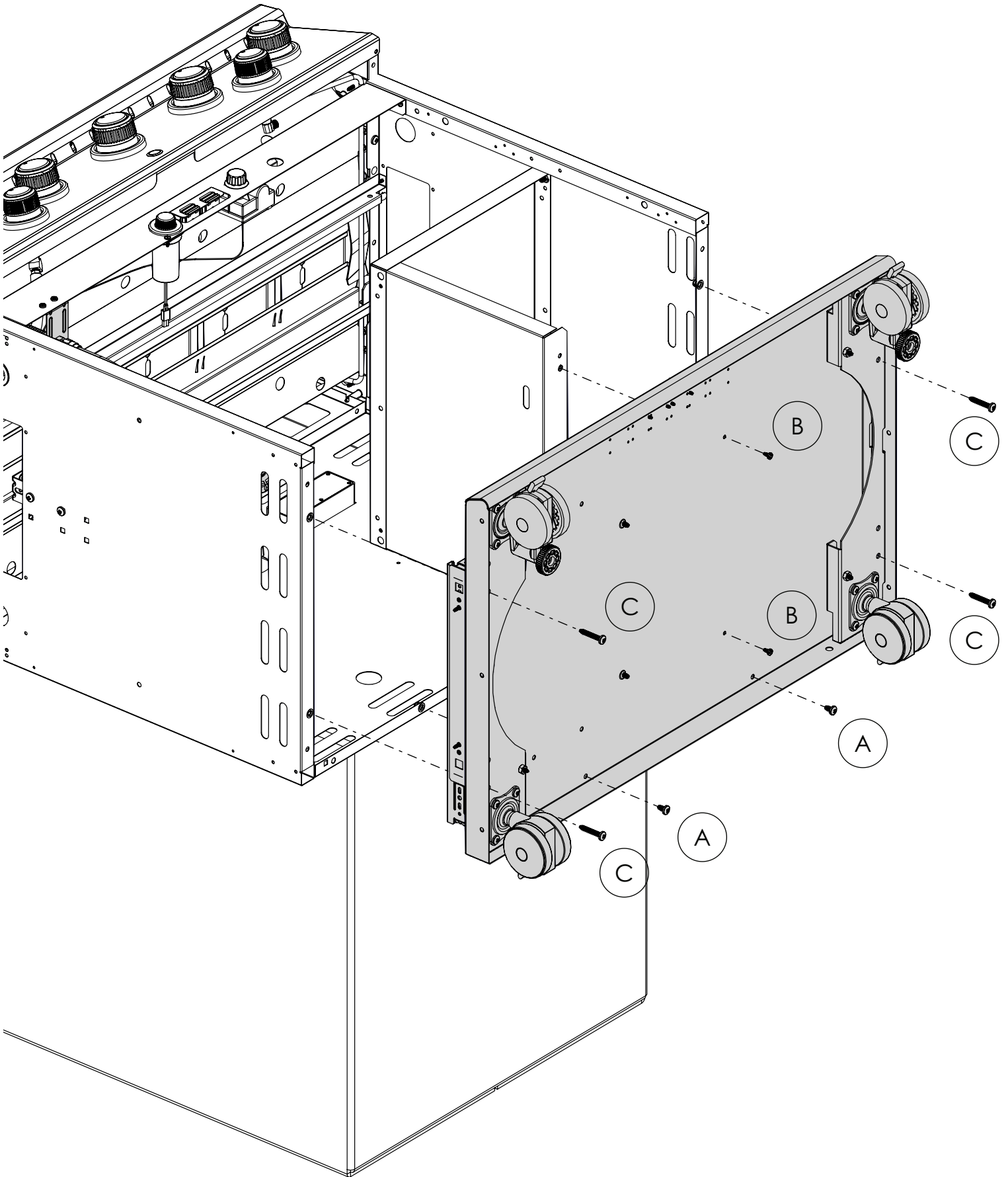
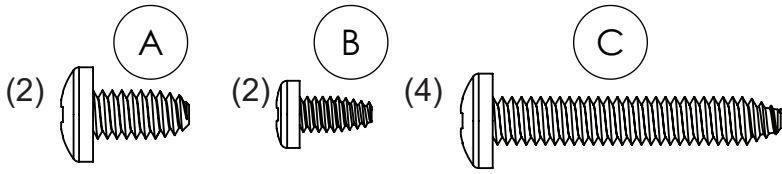


# 11

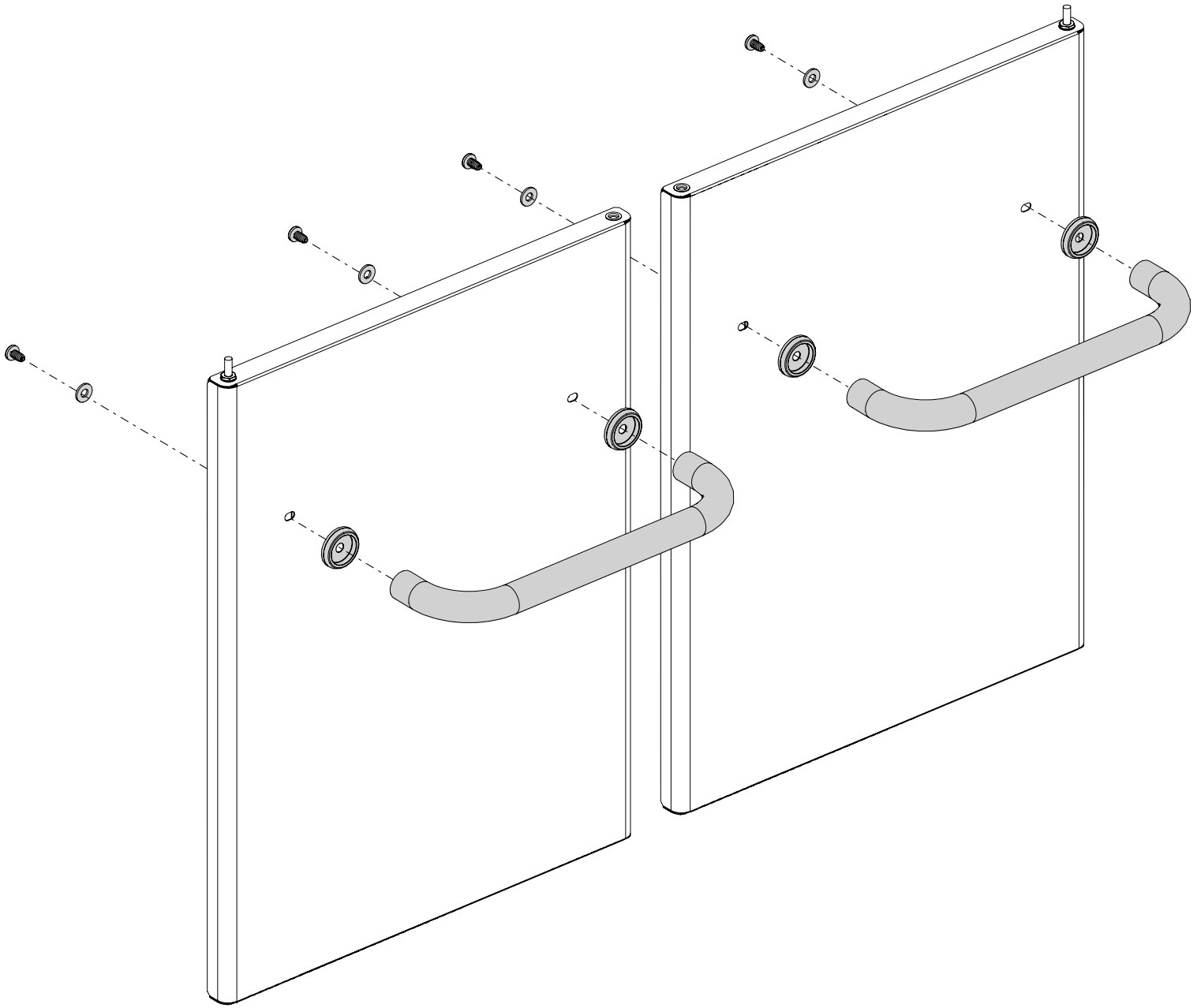
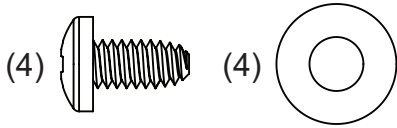


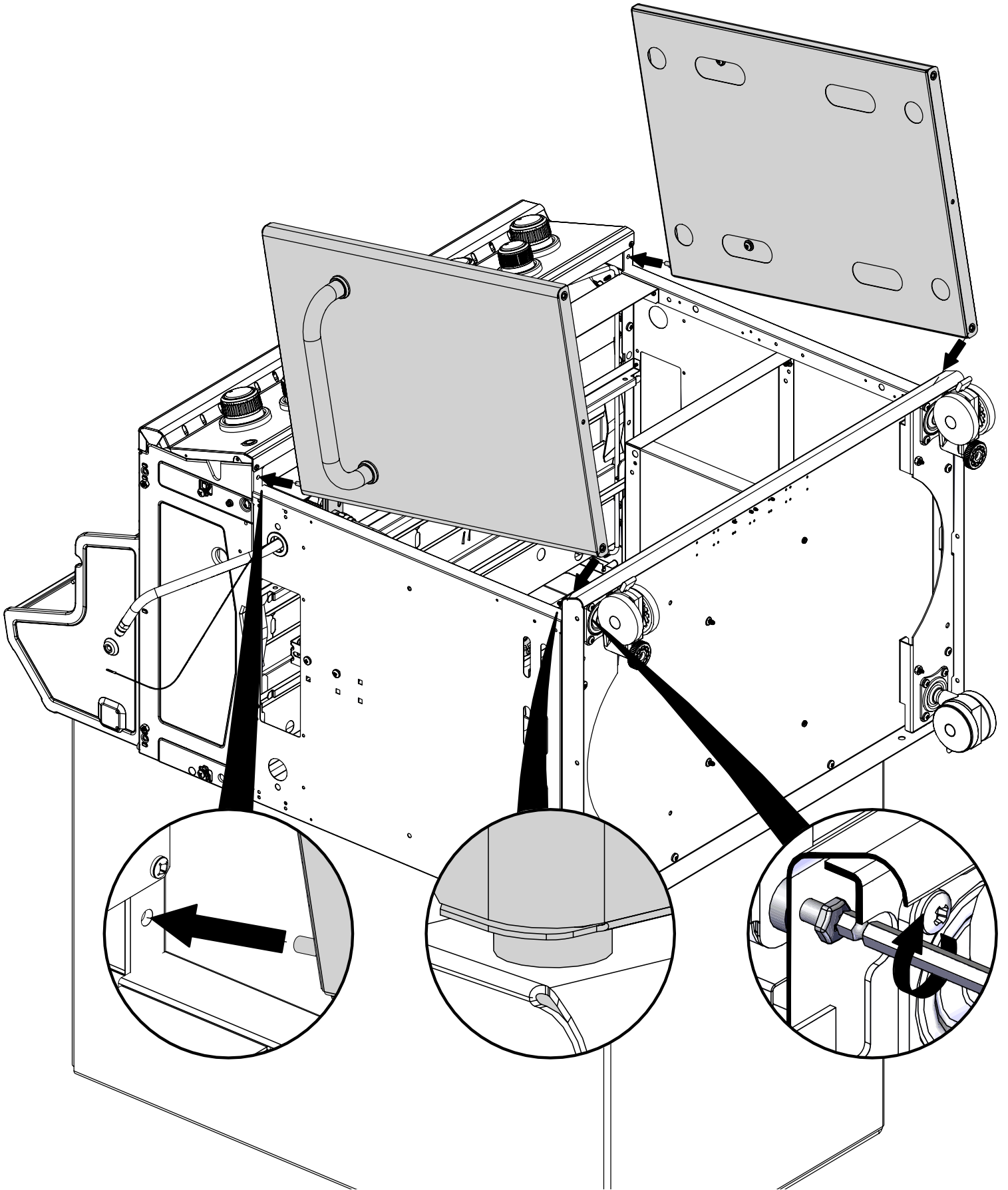


# 12

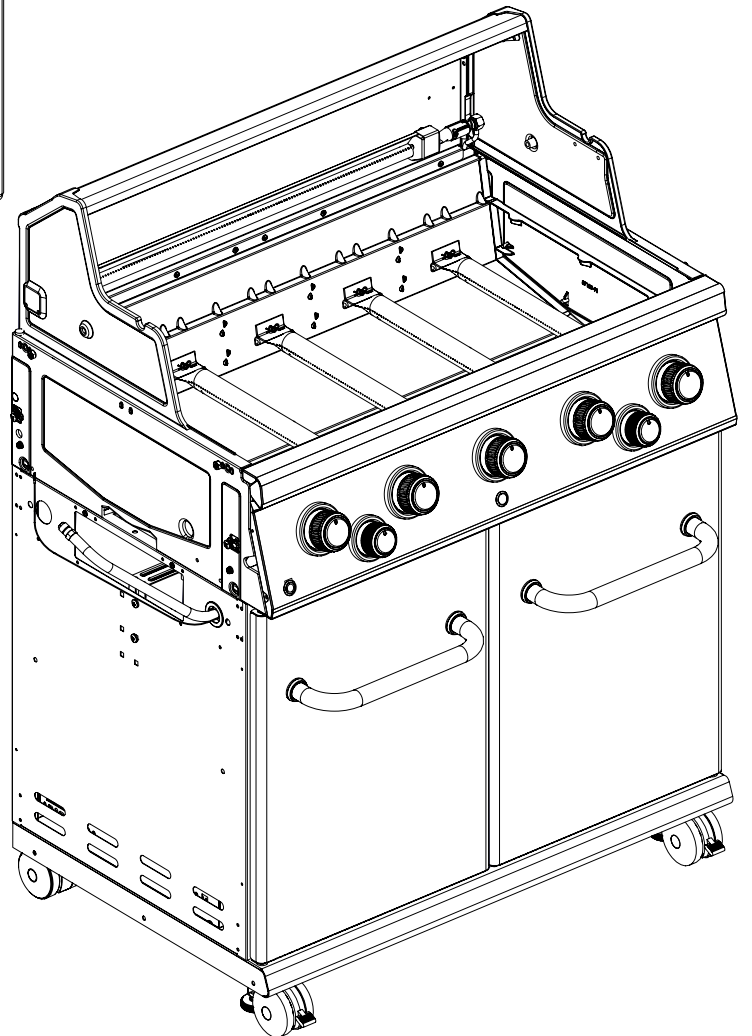
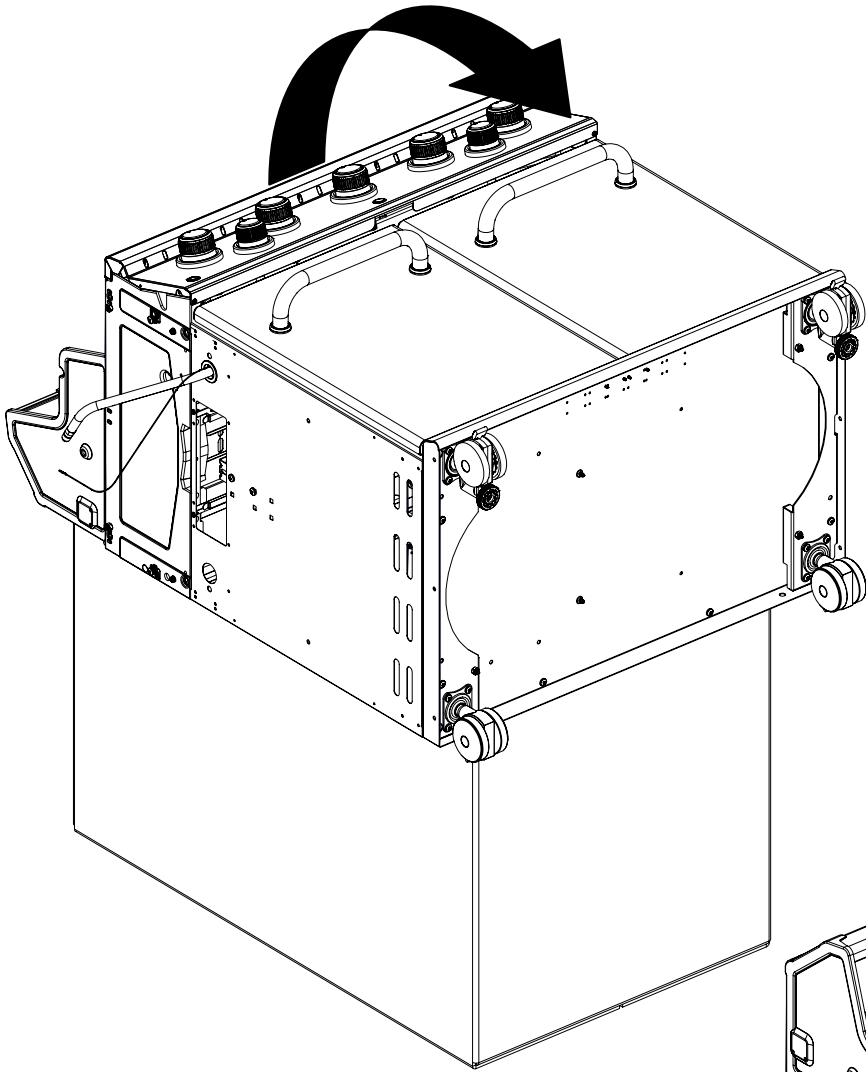


# 13

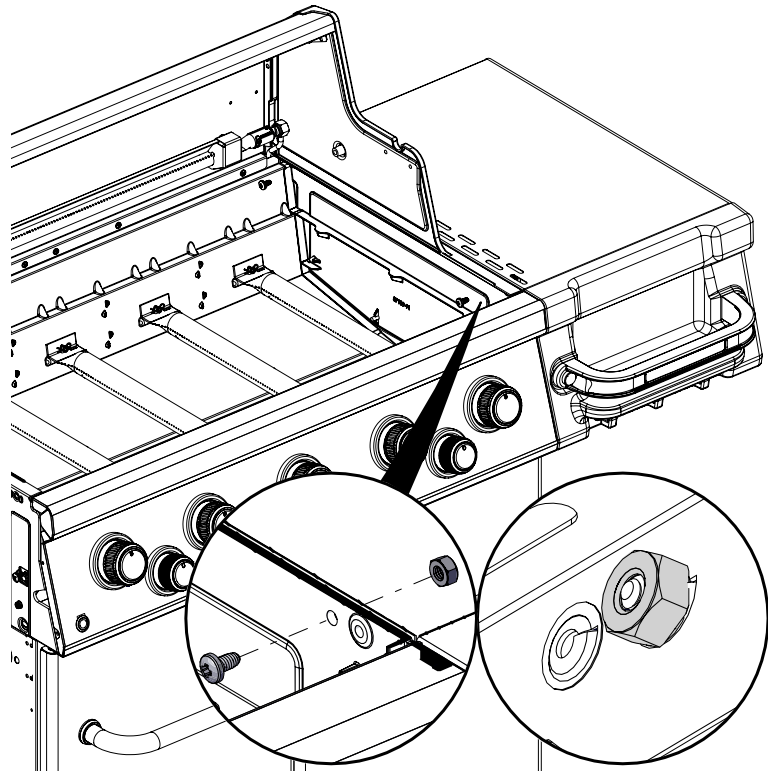
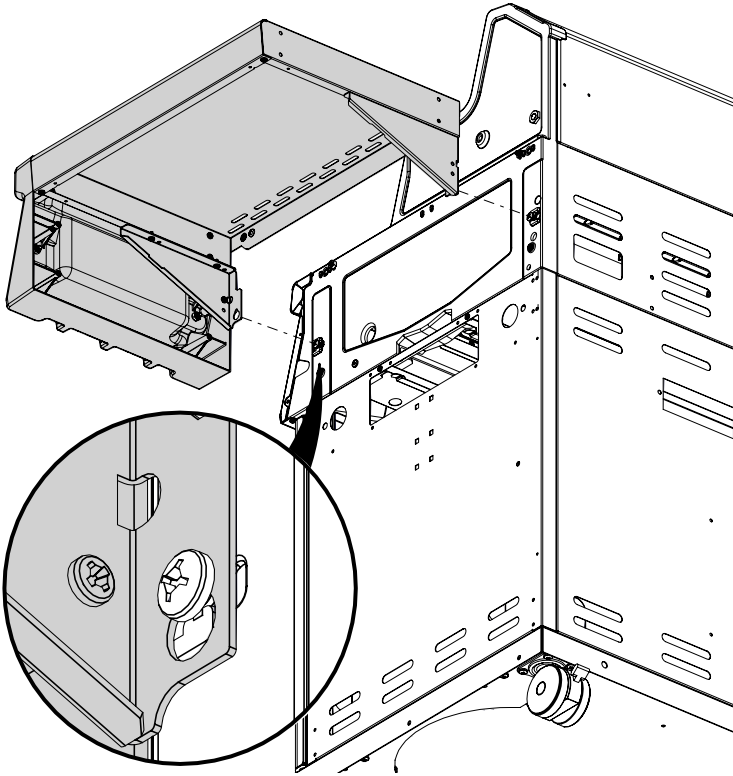
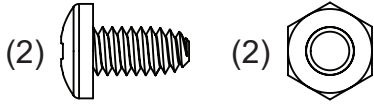




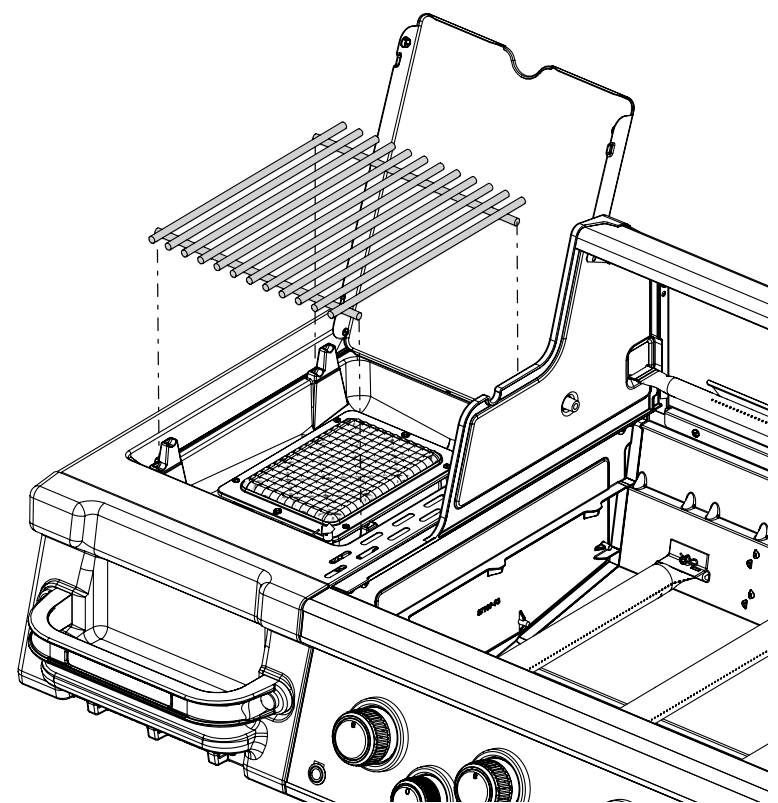
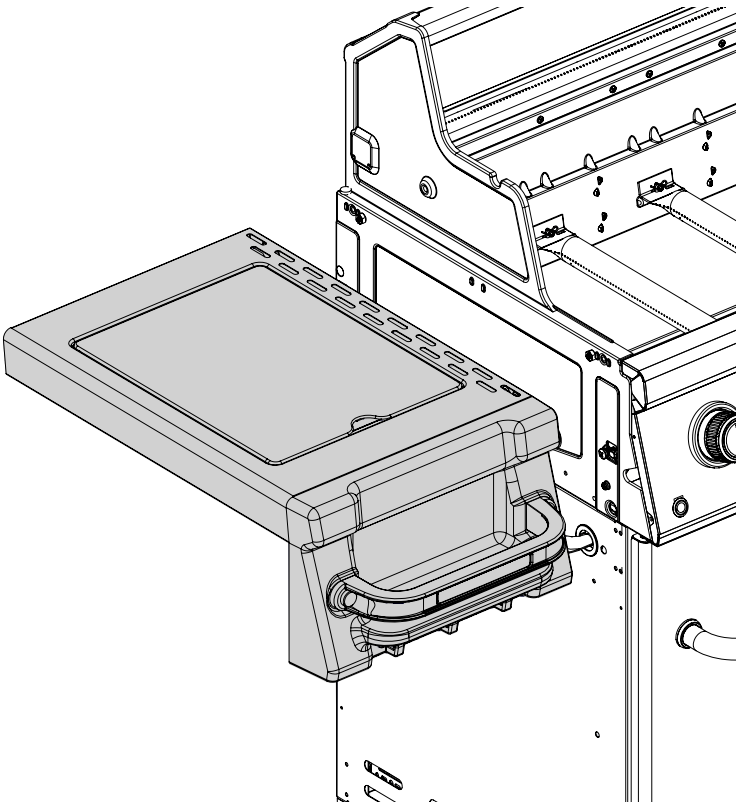
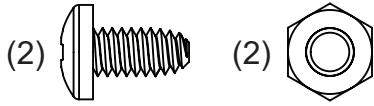
15

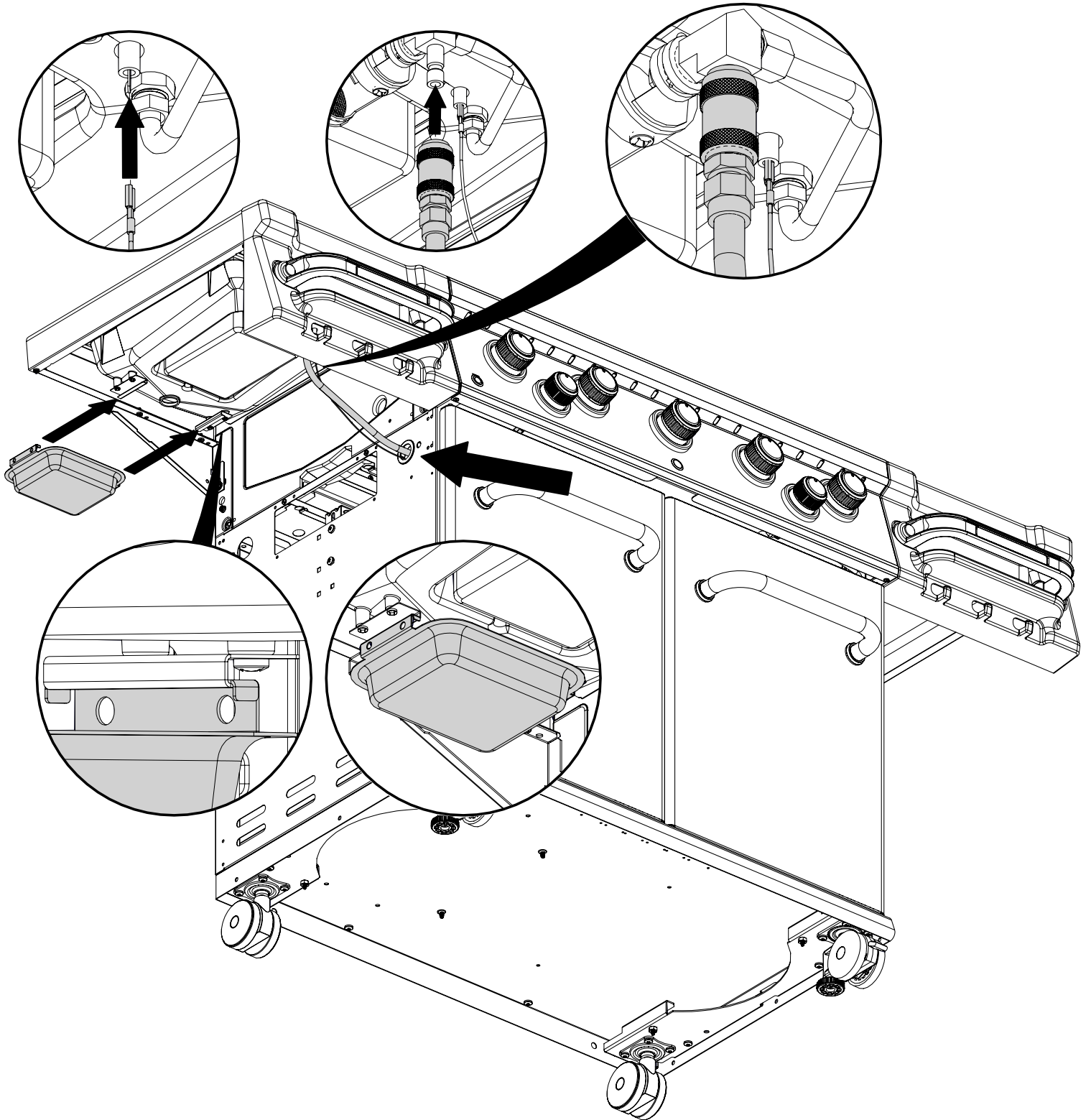


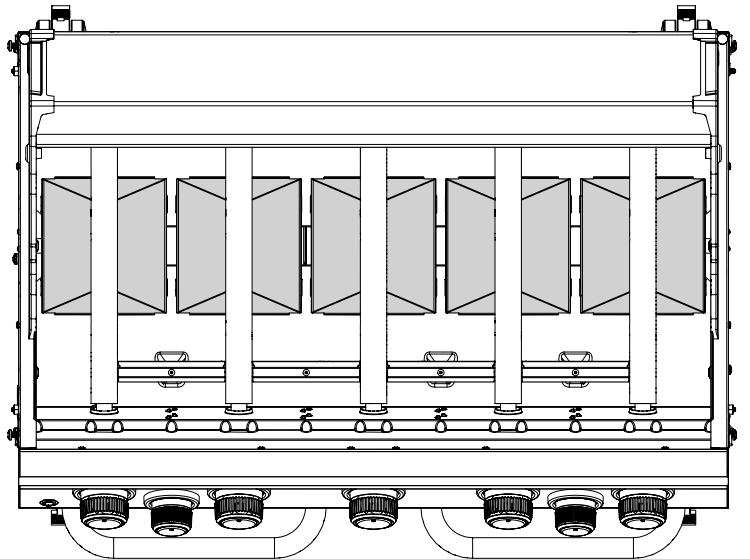
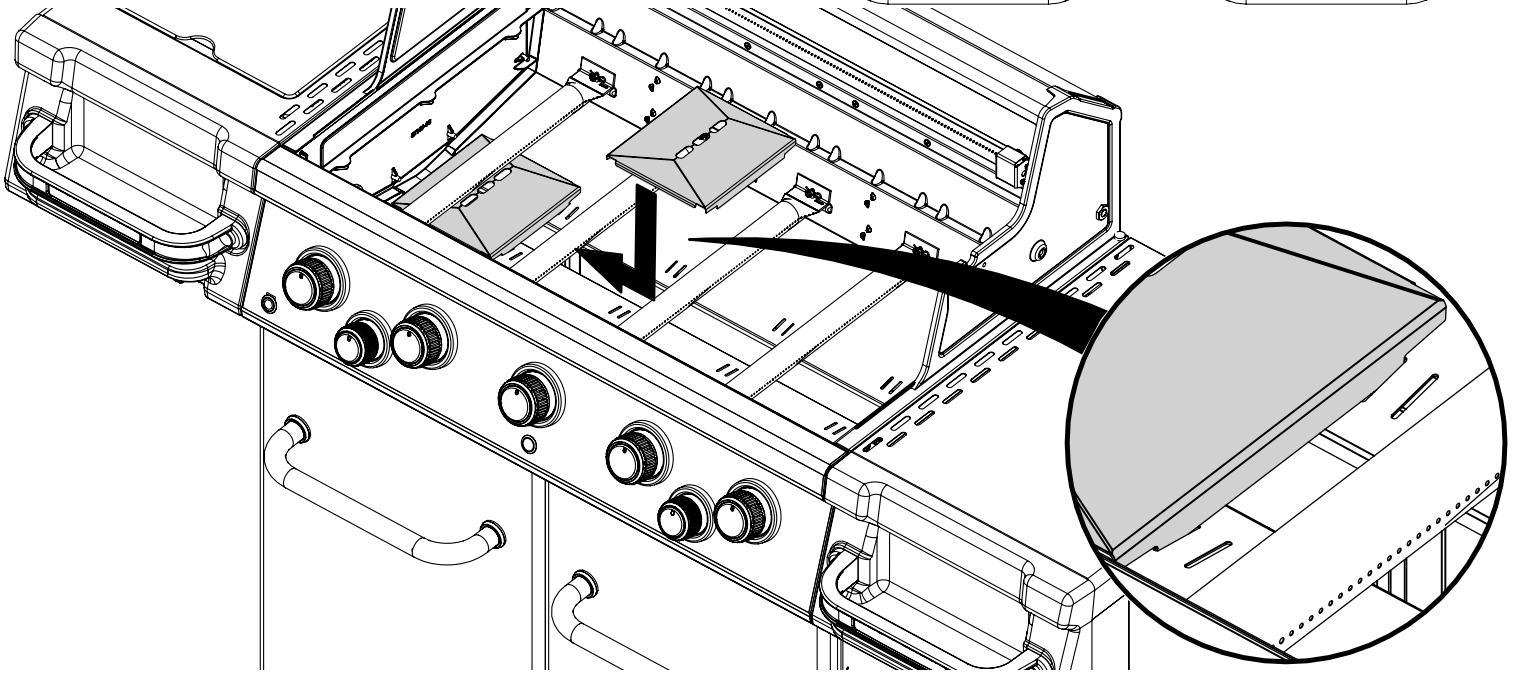
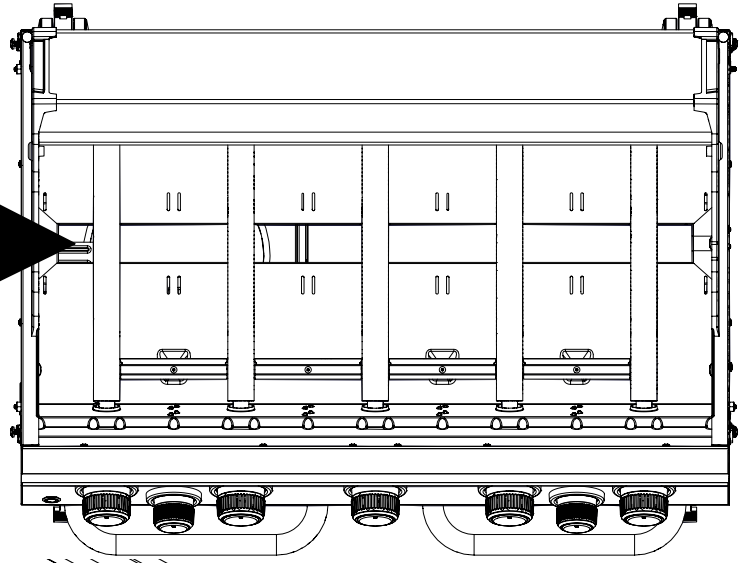
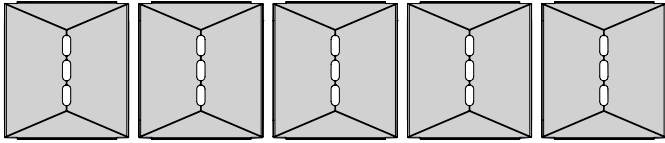
# 16



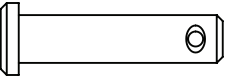
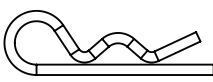
# 17

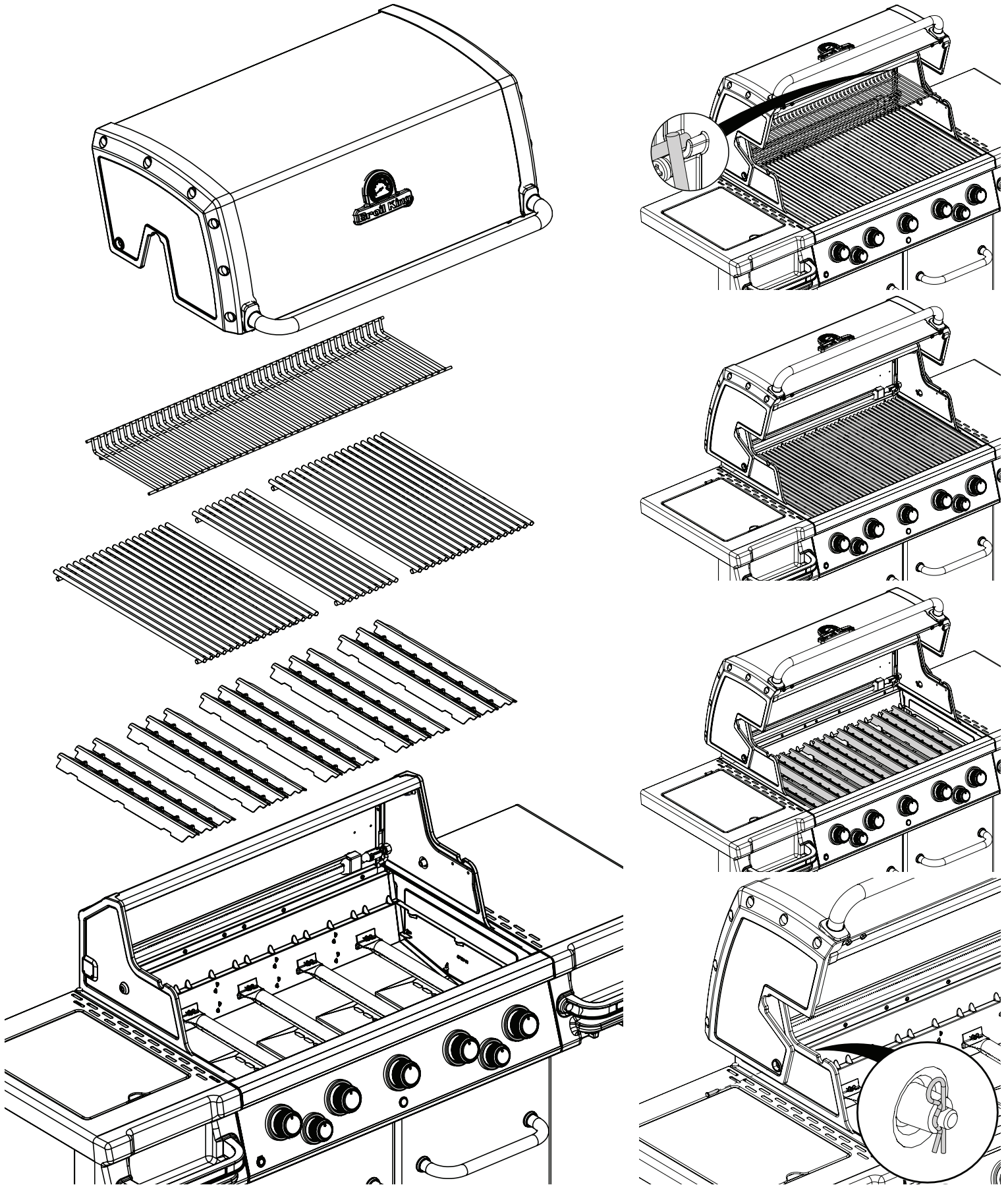




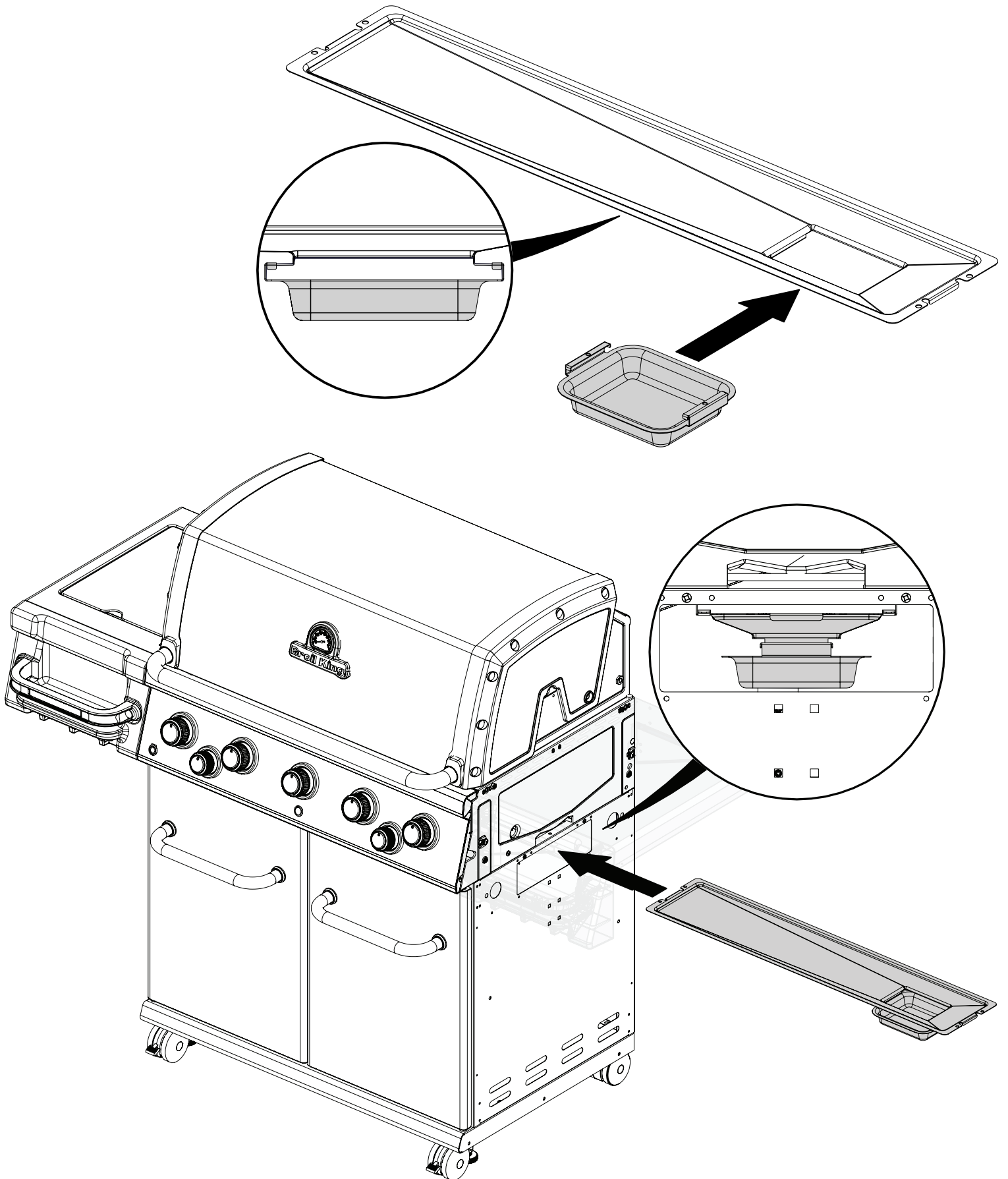


# 20

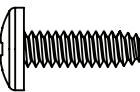
- (2) 
- (2) 

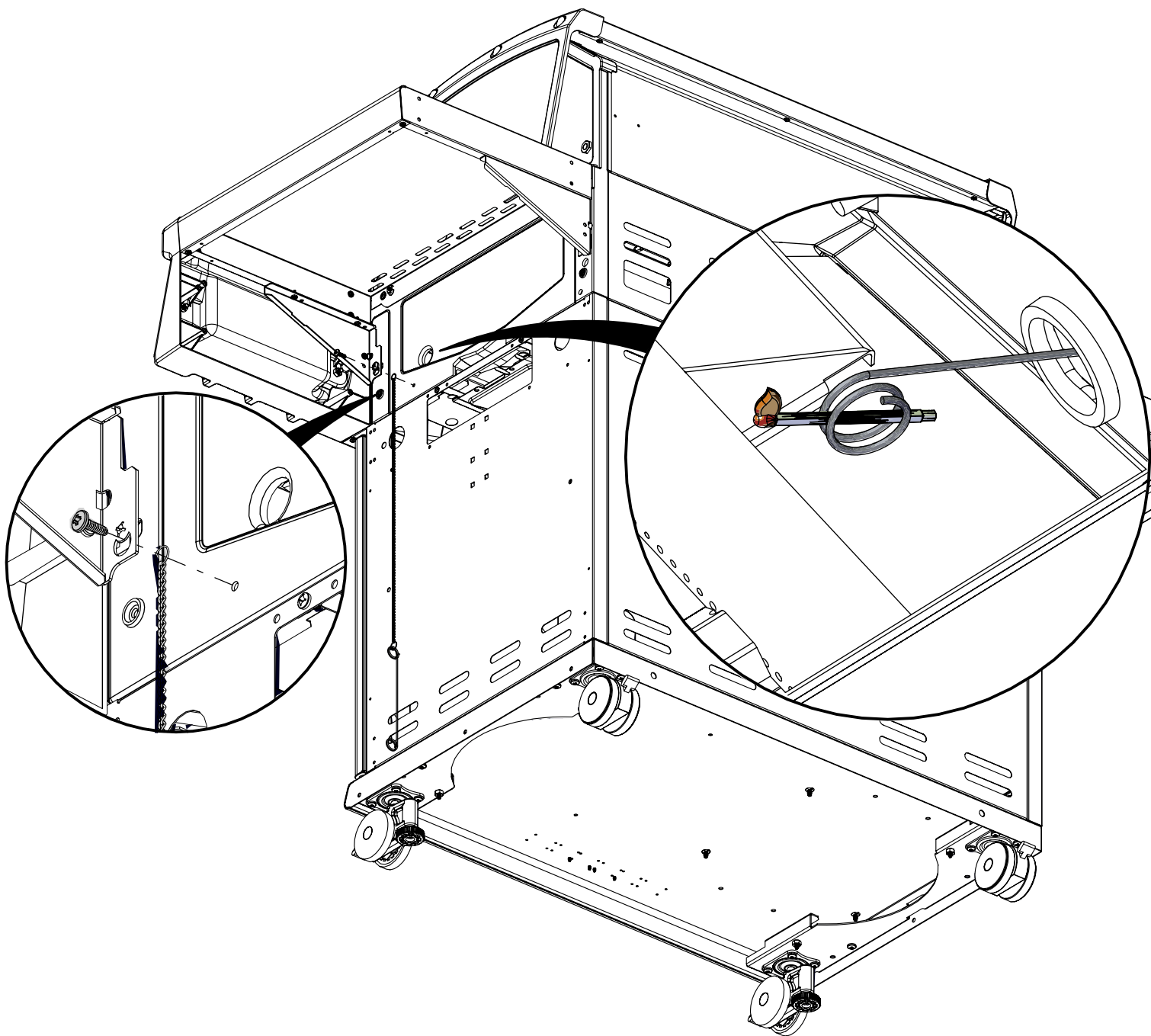




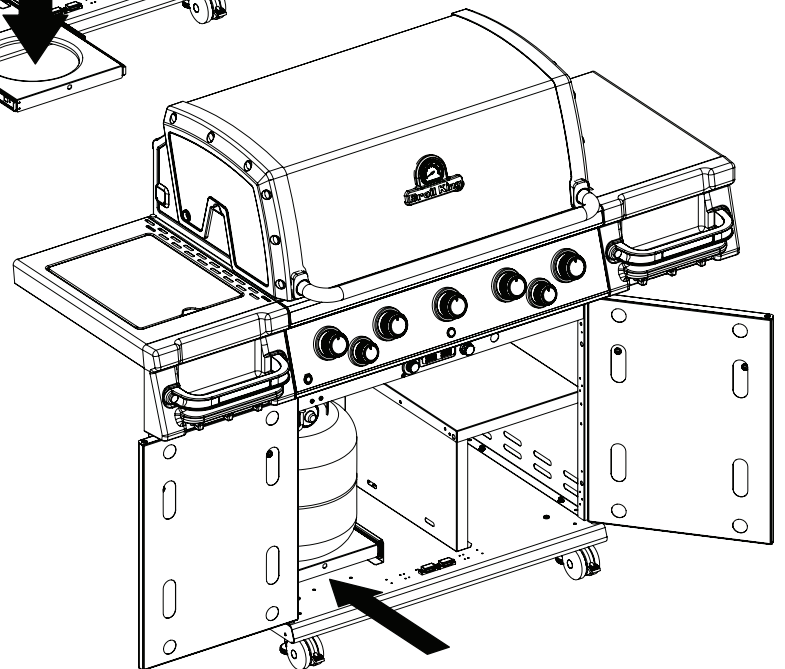
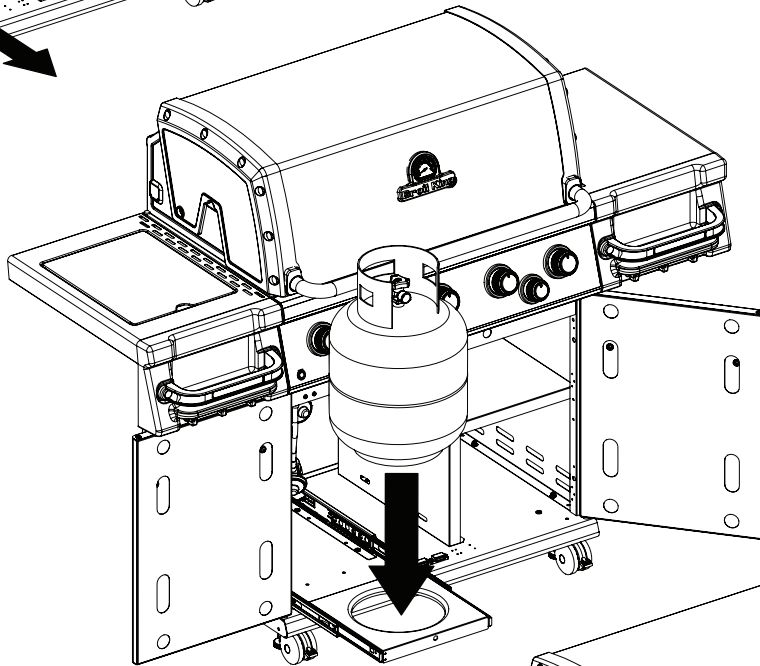
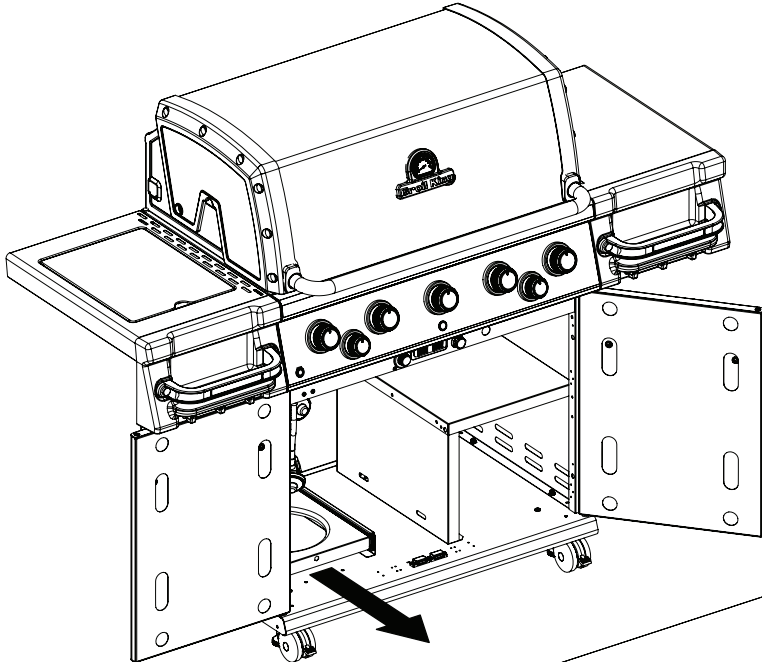
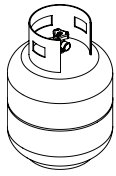


# 22

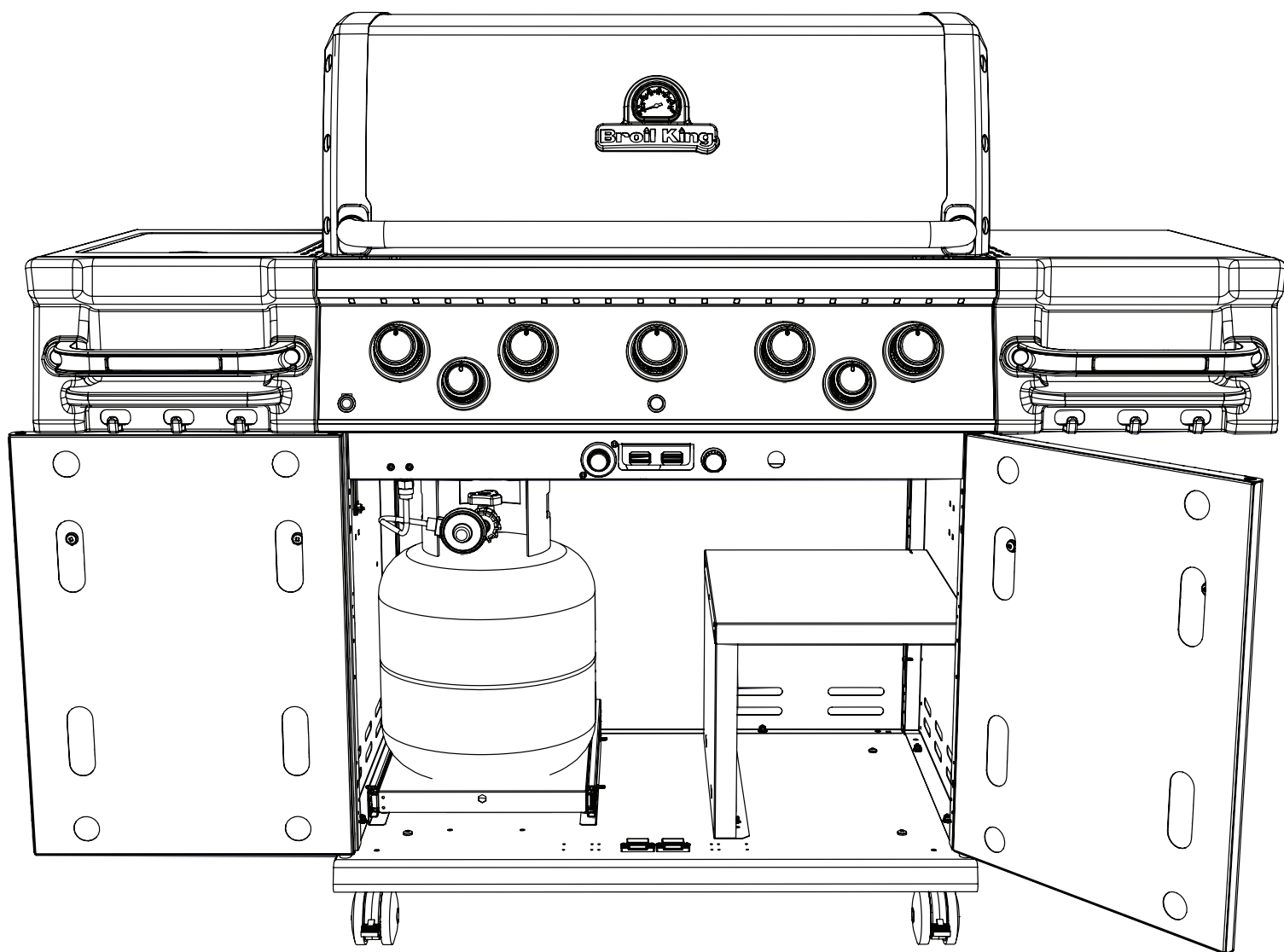
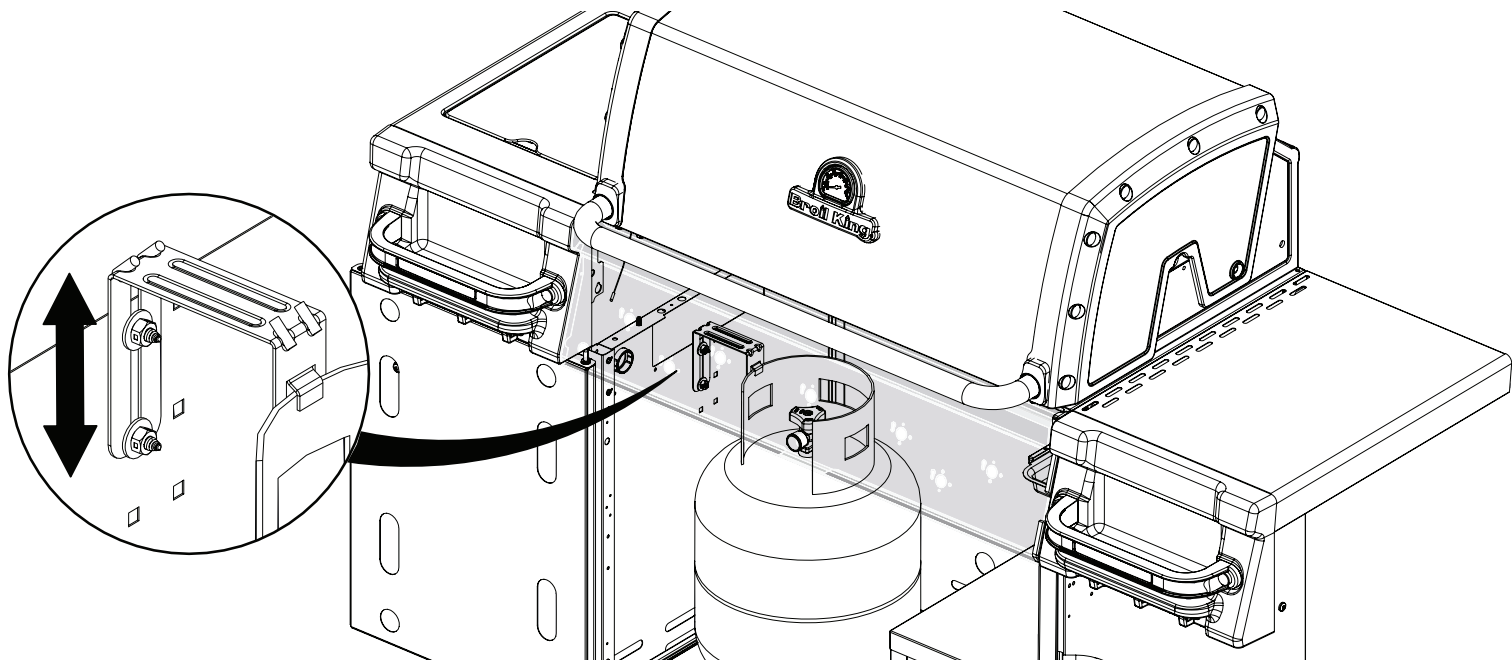
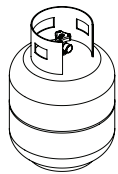
(1)  (1)



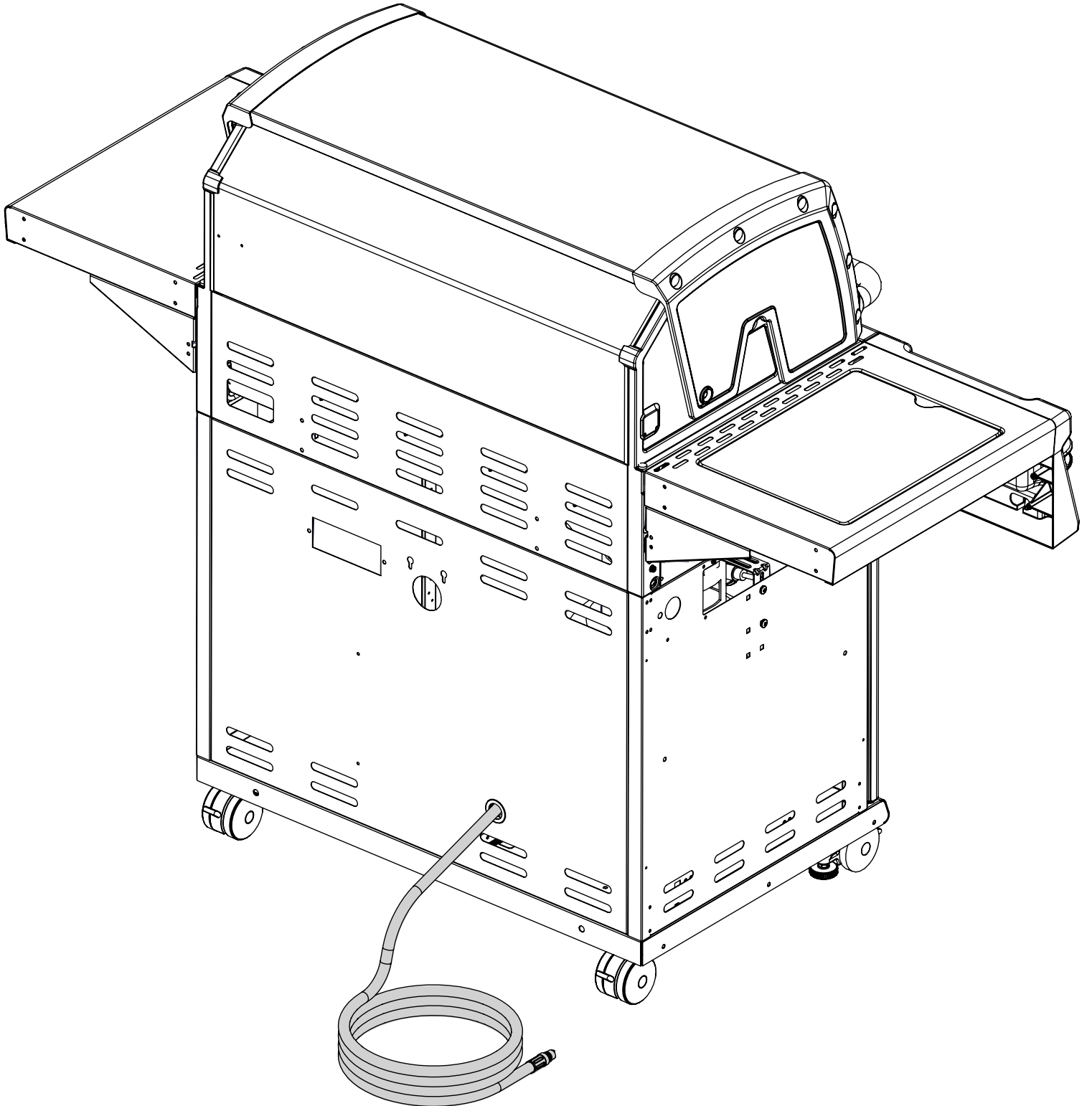
# 23



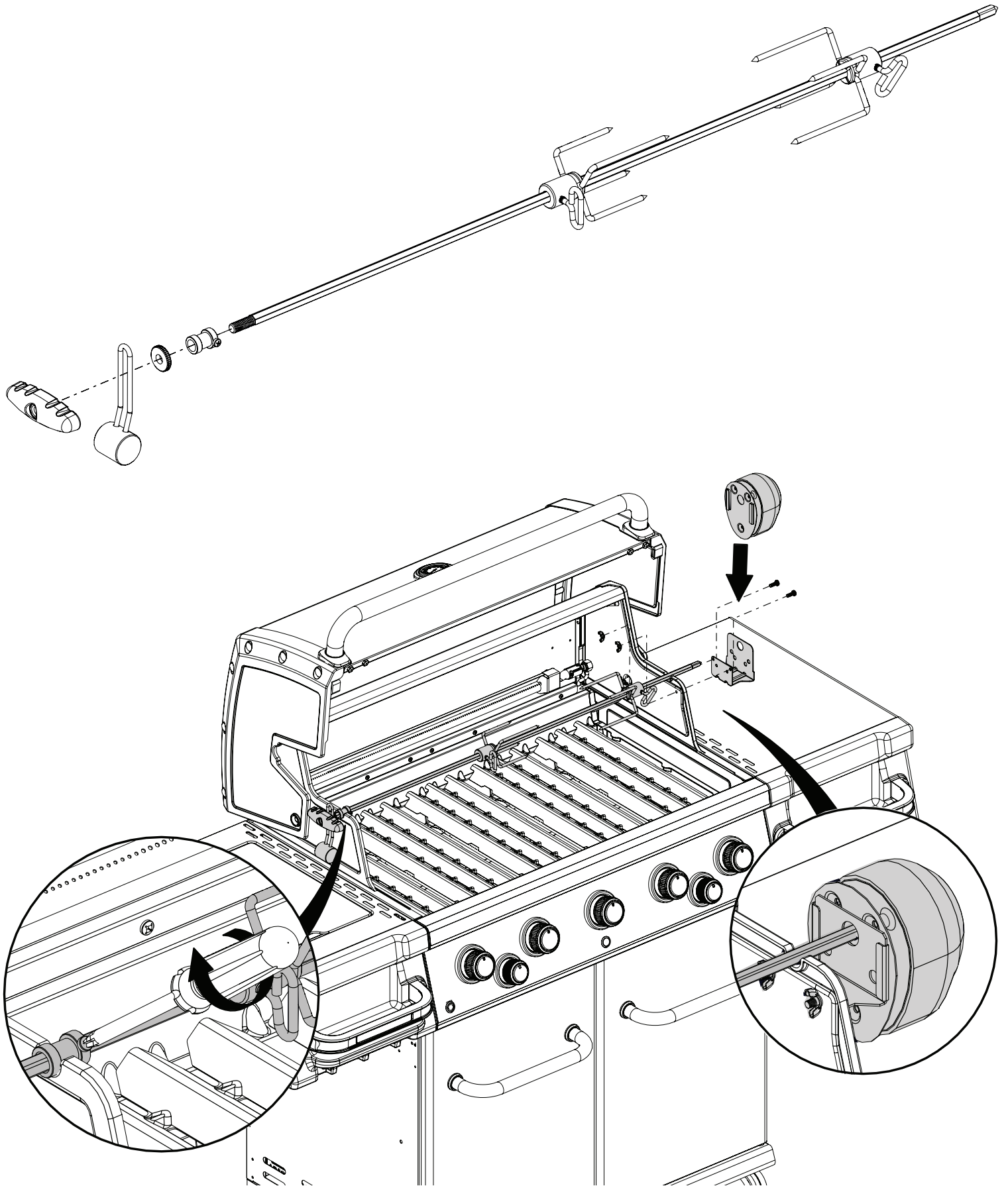
24



25



# 26



## PARTS LIST / LISTE DES PIECES / LISTA DE PARTES

9589-44 9589-47

| KEY # | ITEM #      | DESCRIPTION                | DESCRIPTION                     | DESCRIPTION                     |   |   |
|-------|-------------|----------------------------|---------------------------------|---------------------------------|---|---|
| 1     | 27006-003   | FIRE BOX ASSEMBLY          | FOUR                            | HORNO                           | 1 | 1 |
| 2     | 86006-303   | LID ASSEMBLY               | LE COUVERCLE                    | TAPA                            | 1 | 1 |
| 5     | 27249-904   | GREASE SHIELD              | PROTECTION CONTRE LA GRAISSE    | PROTECTOR CONTRA GRASA          | 5 | 5 |
| 7     | Y-11544S    | SCREW - BURNER             | VIS - BRÛLEUR                   | TORNILLO - QUEMADOR             | 5 | 5 |
| 8     | S21242      | BURNER CLIP                | ATTACHE DE CHEVILLE             | GANCHO PARA EL REMOLQUE         | 5 | 5 |
| 18    | 22022-284   | GRID                       | GRILLE                          | REJILLA                         | 2 | 2 |
| 18A   | 22005-284   | GRID                       | GRILLE                          | REJILLA                         | 1 | 1 |
| 20    | 22006-991   | GRID - WARMING RACK        | GRILLE - MAINTIEN AU CHAUD      | REJILLA - ESTANTE PARA CALENTAR | 1 | 1 |
| 22    | 22026-904   | COLLECTOR BOX              | RECIPIENT                       | CAJA RECOLECTORA                | 1 | 1 |
| 25    | 22909-104LP | BURNER                     | BRÛLEUR                         | QUEMADOR                        | 5 | 5 |
|       | 22909-104NG | BURNER                     | BRÛLEUR                         | QUEMADOR                        | 5 | 5 |
| 26    | 22001-769   | CONTROL KNOB               | BOUTON DE CONTROLE              | PERILLA DE CONTROL              | 5 | 5 |
| 26A   | 22001-669   | CONTROL KNOB               | BOUTON DE CONTROLE              | PERILLA DE CONTROL              | 2 | 2 |
| 27    | 22002-264   | CONTROL BEZEL              | MONTURE DE CONTROLE             | PANEL DE CONTROL                | 5 | 5 |
| 27A   | 22001-164   | CONTROL BEZEL              | MONTURE DE CONTROLE             | PANEL DE CONTROL                | 2 | 2 |
| 28    | 22006-883   | CONTROL COVER              | PANNEAU DE CONTROLE             | CUBIERTA DE CONTROL             | 1 | 1 |
| 29    | Y-12678     | BEZEL STOP                 | OBTURATEUR                      | OBTURADOR                       | 1 | 1 |
| 30    | Y-12674     | KNOB ADAPTER               | ADAPTATEUR DE BOUTON            | ADAPTADOR DE PERILLA            | 1 | 1 |
| 32    | 10111-15A   | HOSE                       | TUYAU                           | MANGUERA                        | 1 | 1 |
| 33    | 10153-93    | QUICK DISCONNECT FITTING   | ACCOUPLLEMENT À DÉBRANCHEMENT R | RACOR DE DESCONEXIÓN RÁPIDA     | 1 | 1 |
| 34    | S13473-IR   | HOSE-SIDE BURNER           | TUYAU DU BRÛLEUR LATÉRAL PL     | MANGUERA - QUEMADOR LATÉRAL     | 1 | 1 |
| 34A   | Y-11230     | COTTER PIN                 | ATTACHE DE CHEVILLE             | CHAVETA                         | 1 | 1 |
| 35    | 29006-074IR | CONTROL ASSEMBLY           | SOUPAPE                         | MECANISME DE CONTROL            | 1 | 1 |
|       | 29006-077IR | CONTROL ASSEMBLY           | SOUPAPE                         | MECANISME DE CONTROL            | 1 | 1 |
| 36    | 10342-T21   | ELECTRODE - SIDE BURNER    | ELECTRODE - BRÛLEUR DE COTE     | ELECTRODO - QUEMADOR LATÉRAL    | 1 | 1 |
| 37    | 20809-957   | TUBE-REAR BURNER ASSY      | TUBE DE BRÛLEUR ARRIÈRE         | TUBO, QUEMADOR POSTERIOR        | 1 | 1 |
| 38    | Y-11990     | HEX NUT                    | ÉCROU                           | TUERCA HEXAGONAL                | 1 | 1 |
| 39    | 10110-74    | TUBE - COMPRESSION FITTING | TUBE                            | TUBO                            | 1 | 1 |
| 40    | 10114-16    | HOSE & REGULATOR           | TUYAU ET REGULATEUR PL          | MANGUERA Y REGULADOR            | 1 | 1 |
|       | 10111-K45   | HOSE NATURAL GAS           | TUYAU (GAZ NATUREL)             | MANGUERA DE GAS NATURAL         | 1 | 1 |
| 41    | 20153-64    | ORIFICE ADAPTER            | ADAPTATEUR                      | ADAPTADOR                       | 1 | 1 |
| 42    | 10153-79    | FITTING                    | RACCORD                         | CONECTOR                        | 1 | 1 |
| 43    | 10342-E13   | ELECTRODE                  | ELECTRODE                       | ELECTRODO                       | 2 | 2 |
| 43A   | 10342-E22   | ELECTRODE                  | ELECTRODE                       | ELECTRODO                       | 1 | 1 |
| 44    | 10342-45    | ELECTRONIC IGNITOR         | ALLUMAGE ÉLECTRONIQUE           | ENCENDEDOR ELECTRÓNICO          | 1 | 1 |
| 44A   | 25070-92    | WIRE - IGNITOR             | FIL ÉLECTRIQUE - ALLUMAGE       | CABLE - ENCENDEDOR              | 1 | 1 |
| 44B   | 25070-93    | BUTTON - IGNITOR           | BOUTON - ALLUMAGE               | PULSADOR - ENCENDEDOR           | 1 | 1 |
| 45    | 10693-091   | ORIFICE                    | ORIFICE                         | ORIFICIO                        | 1 | 1 |
|       | 10693-132   | ORIFICE                    | ORIFICE                         | ORIFICIO                        | 1 | 1 |
| 46    | 23039-274   | GREASE RAIL                | GUIDE DU BAC A GRAISSE          | RIEL DE GRASA                   | 2 | 2 |
| 47    | 21036-991   | GREASE RAIL                | GUIDE DU BAC A GRAISSE          | RIEL DE GRASA                   | 2 | 2 |
| 48    | 22009-901   | GREASE PAN                 | CUVETTE A GRAISSE               | BANDEJA PARA LA GRASA           | 2 | 2 |

**PARTS LIST / LISTE DES PIECES / LISTA DE PARTES**

**9589-44 9589-47**

| <b>KEY #</b> | <b>ITEM #</b> | <b>DESCRIPTION</b>       | <b>DESCRIPTION</b>         | <b>DESCRIPTION</b>               | <b>9589-44</b> | <b>9589-47</b> |
|--------------|---------------|--------------------------|----------------------------|----------------------------------|----------------|----------------|
| 49           | 27056-901     | GREASE TRAY              | PLATEAU A GRAISSE          | BANDEJA RECOLECTORA DE GRASA     | 1              | 1              |
| 51           | 22209-903     | FLAV-R-WAVE®             | FLAV-R-WAVE®               | FLAV-R-WAVE®                     | 5              | 5              |
| 56           | 24006-12A     | HANDLE                   | POIGNÉE                    | MANGO                            | 1              | 1              |
| 58           | 54009-936     | BEZEL                    | MONTURE                    | PANEL                            | 2              | 2              |
| 59           | 10081-BK630   | NAMEPLATE                | PLAQUE D'IDENTIFICATION    | PLACA CON NOMBRE                 | 1              | 1              |
| 60           | 10571-6       | HEAT INDICATOR           | INDICATEUR DE CHALEUR      | INDICADOR DE TEMPERATURA         | 1              | 1              |
| 65           | 20005-000     | MATCH LIGHT - STICK      | ALLUMETTES                 | CERILLA - VARILLA                | 1              | 1              |
| 68           | 23276-213A    | DOOR                     | PORTE                      | PUERTA                           | 1              | 1              |
| 69           | 23276-233A    | DOOR                     | PORTE                      | PUERTA                           | 1              | 1              |
| 70           | 21106-13      | HANDLE                   | POIGNÉE                    | MANGO                            | 2              | 2              |
| 71           | 21070-13      | BEZEL                    | MONTURE                    | PANEL                            | 4              | 4              |
| 78           | 21336-111     | BRACKET - DOOR CATCH     | CROCHET DE PORTE           | SOPORTE - RETÉN DE PUERTA        | 1              | 1              |
| 80           | 21109-901R    | SIDE PANEL               | PANNEAU LATÉRALE           | PANEL LATÉRAL                    | 2              | 2              |
| 82           | 25208-201     | CABINET SHELF            | L'ETAGERE DU CABINET       | ESTANTE - GABINETE               | 1              | 1              |
| 83           | 21036-901     | CABINET SHELF SUPPORT    | SUPPORT POUR L'ETAGERE     | SOPORTE PARA ESTANTE DE GABINETE | 1              | 1              |
| 84           | 21099-10A     | BASE - TANK              | TABLETTE INFÉRIEUR         | BASE - TANQUE                    | 1              | 1              |
| 88           | 21306-921R    | PANEL - REAR             | PANNEAU - ARRIÈRE          | PANEL - POSTÉRIOR                | 1              | 1              |
| 90           | 51096-951     | BASE                     | TABLETTE INFÉRIEURE        | BASE                             | 1              | 1              |
| 100          | 21039-911     | BRACKET - CASTOR SUPPORT | SUPPORT DE ROULETTE        | SOPORTE - PARA RUEDITA           | 2              | 2              |
| 102          | 10892-23      | CASTOR                   | ROULETTES                  | RUEDITA                          | 2              | 2              |
| 102A         | 10892-285     | CASTOR                   | ROULETTES                  | RUEDITA                          | 2              | 2              |
| 103          | 21009-951     | TANK BRACKET             | SUPPORT DU RESERVOIR       | SOPORTE - TANQUE LP              | 1              | 1              |
| 114          | 23101-113     | SHELF - RIGHT            | PLANCHETTE LATÉRALE        | ESTANTE                          | 1              | 1              |
| 115          | 23101-153     | SHELF - LEFT             | PLANCHETTE LATÉRALE        | ESTANTE                          | 1              | 1              |
| 123          | Y-12117       | BUSHING                  | DOUILLE                    | COJINETE                         | 2              | 2              |
| 124          | 23090-27      | SIDE BURNER BODY         | SUPPORT DE BRÛLEUR DE COTE | ESTANTE - QUEMADOR LATÉRAL       | 1              | 1              |
| 125          | 23000-253     | SIDE BURNER COVER        | COUVERCLE LATÉRAL          | CUBIERTA - QUEMADOR LATÉRAL      | 1              | 1              |
| 126          | 20390-74      | SIDE BURNER              | BRÛLEUR DE COTE            | QUEMADOR LATÉRAL                 | 1              | 1              |
| 127          | 18670         | SIDE BURNER SCREEN       | ÉCRAN                      | PROTECCIÓN                       | 1              | 1              |
| 128          | 23001-79      | GRID                     | GRILLE                     | REJILLA                          | 1              | 1              |
| 130          | 27905-354     | BURNER ROTISSERIE        | BRÛLEUR DE TOURNEBROCHE    | QUEMADOR PARA ROSTIZAR           | 1              | 1              |
| 131          | 10693-109     | REAR BURNER-ORIFICE      | ORIFICE DU BRÛLEUR ARRIÈRE | QUEMADOR POSTÉRIOR - ORIFICIO    | 1              | 1              |
|              | 10693-160     | REAR BURNER-ORIFICE      | ORIFICE DU BRÛLEUR ARRIÈRE | QUEMADOR POSTÉRIOR - ORIFICIO    | 1              | 1              |
| 133          | S15271        | HANDLE                   | POIGNEE                    | MANGO                            | 1              | 1              |
| 134          | S15270        | BALANCER                 | CONTREPOIS                 | BALANCEADOR                      | 1              | 1              |
| 135          | S15299        | WASHER                   | RONDELLE                   | ARANDELA                         | 1              | 1              |
| 136          | S15263        | BUSHING                  | COL                        | COJINETE                         | 1              | 1              |
| 137          | S15259        | SPIT ROD                 | BROCHETTE                  | BARRA ROSTIZADORA                | 1              | 1              |
| 138          | S15287        | 4 PRONG FORKS            | FOURCHETTE A 4 FOURCHON    | HORQUILLAS DE 4 PUNTAS           | 2              | 2              |
| 139          | 57039-901     | ROTISSERIE BRACKET       | SUPPORT                    | SOPORTE DEL ROSTIZADOR           | 1              | 1              |
| 140          | S21125        | SCREW #8 X 1/2           | VIS #8 X 1/2               | TORNILLO #8 X 1/2                | 4              | 4              |
| 141          | Y-11559       | BOLT 1/4-20 X 1          | BOULON 1/4-20 X 1          | PERNO - 1/4-20 X 1               | 2              | 2              |



**PARTS LIST / LISTE DES PIECES / LISTA DE PARTES**

**9589-44 9589-47**

| <b>KEY #</b> | <b>ITEM #</b> | <b>DESCRIPTION</b>        | <b>DESCRIPTION</b>          | <b>DESCRIPTION</b>            |    |    |
|--------------|---------------|---------------------------|-----------------------------|-------------------------------|----|----|
| 142          | S21127S       | SCREW #8-32 X 7/16        | VIS #8-32 X 7/16            | TORNILLO #8-32 X 7/16         | 21 | 21 |
| 144          | Y-12220       | BUSHING                   | DOUILLE                     | COJINETE                      | 1  | 2  |
| 145          | S21235        | HINGE PIN                 | GOUILLE DE CHARNIÈRE        | CLAVIJA DE BISAGRA            | 2  | 2  |
| 146          | S21233        | HITCH PIN CLIP            | ATTACHE DE CHEVILLE         | GANCHO PARA EL REMOLQUE       | 2  | 2  |
| 147          | Y-11231       | LID BUMPER                | BUTOIR DU COUVERCLE         | TOPE DE LA TAPA               | 2  | 2  |
| 148          | 10240-20      | DOOR PIN                  | GOUILLE DE LA PORTE         | CLAVIJA DE LA PUERTA          | 2  | 2  |
| 149          | Y-11551       | SHOULDER SCREW 1/4-20 X 1 | GOUILLE DE LA PORTE         | CLAVIJA DE LA PUERTA          | 2  | 2  |
| 150          | Y-12124       | DOOR PIN CAP              | CAP PORTE PIN               | TAPA DE CLAVIJA DE LA PUERTA  | 2  | 2  |
| 151          | Y-12857       | WASHER                    | RONDELLE                    | ARANDELA                      | 4  | 4  |
| 152          | Y-12222       | MAGNET                    | AIMANT                      | IMÁN                          | 2  | 2  |
| 153          | Y-12223       | SNAP IN MAGNET            | AIMANT                      | IMÁN DE AJUSTE                | 2  | 2  |
| 154          | Y-11560       | SCREW 1/4-20 X 1-1/2      | VIS 1/4-20 X 1-1/3          | TORNILLO 1/4-20 X 1-1/2       | 8  | 8  |
| 155          | S21124        | SCREW #8 X 1/2            | VIS #8 X 1/2                | TORNILLO #8 X 1/2             | 10 | 10 |
| 156          | Y-11793       | NUT 1/4-20                | ECROU 1/4-20                | TUERCA 1/4-20                 | 8  | 8  |
| 157          | Y-12835       | SCREW #6-32 X 1/4         | VIS #6-32 X 1/5             | TORNILLO #6-32 X 1/4          | 2  | 2  |
| 158          | Y-12646       | SCREW SHOULDER #8 X 1/2   | VIS SHOULDER #8 X 1/3       | TORNILLO - DE HOMBRO #8 X 1/2 | 2  | 2  |
| 160          | Y-29304       | BOLT #10-24 X 3/8         | BOULON #10-24 X 3/8         | PERNO #10-24 X 3/8            | 6  | 6  |
| 161          | Y-12310       | SCREW 1/4-20 X 3/4        | VIS 1/4-20 X 3/4            | TORNILLO 1/4-20 X 3/4         | 4  | 4  |
| 163          | S35094        | SCREW #10-24 X 5/8        | VIS #10-24 X 5/8            | TORNILLO #10-24 X 5/8         | 1  | 1  |
| 169          | S21061        | WING NUT                  | ECROU PAPILLON              | TUERCA MARIPOSA               | 2  | 2  |
| 170          | S15517-011    | ELECTRODE ASSEMBLY        | ELECTRODE                   | ELECTRODO                     | 1  | ·  |
|              | S15517-018    | ELECTRODE ASSEMBLY        | ELECTRODE                   | ELECTRODO                     | ·  | 1  |
| 171          | S15236        | MOTOR                     | MOTEUR                      | MOTOR                         | 1  | 1  |
| 172          | S15508        | ELECTRODE                 | ELECTRODE                   | ELECTRODO                     | 1  | 1  |
| 173          | S21362        | SPRING                    | RESSORT                     | RESORTE                       | 1  | 1  |
| 174          | S21255        | WASHER                    | RONDELLE                    | ARANDELA                      | 2  | ·  |
| 175          | Y-11546       | SCREW - 1/4:20 X 5/8      | BOULON - 1/4:20 X 5/8       | TORNILLO 1/4-20 X 5/8         | 2  | ·  |
| 176          | Y-11795       | NUT 1/4-20                | ECROU 1/4-20                | TUERCA 1/4-20                 | 2  | ·  |
| 180          | S35095        | SCREW #10-24 X 5/8        | VIS #10-24 X 5/8            | TORNILLO #10-24 X 5/8         | 2  | 2  |
| 181          | 25030-73      | WIRE - BATTERY PACK       | LE FIL - TRANSFORMATEUR     | DE ALAMBRE - TRANSFORMADOR    | 1  | 1  |
| 181A         | 25070-95      | LIGHT SWITCH              | COMMUTATEUR LEGER           | INTERRUPTEUR DE LA LUZ        | 1  | 1  |
| 184          | 25080-80      | BATTERY PACK              | BATTERIE                    | BATERÍA                       | 1  | 1  |
| 186          | Y-12865       | SCREW 1/4-20 X 3/4        | VIS 1/4-20 X 3/4            | TORNILLO 1/4-20 X 3/4         | 34 | 30 |
| 190          | 25020-83      | WIRE - LED LIGHT          | DIODES ÉLECTROLUMINESCENTES | DE ALAMBRE - DIODO LUMINOSO   | 1  | 1  |
| 191          | 25020-84      | WIRE - LED LIGHT          | DIODES ÉLECTROLUMINESCENTES | DE ALAMBRE - DIODO LUMINOSO   | 1  | 1  |
| 193          | SP11-25       | LID BUMPER                | BUTOIR DU COUVERCLE         | TOPE DE LA TAPA               | 2  | 2  |





